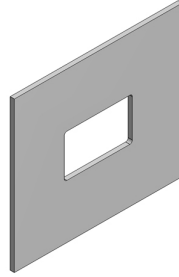


Date :	04.08.05	Sign: tb
Last rev:	31.10.12	Sign: tb
Doc. No:	K3-11/9E	Sign: tb
Page 1 of 5		

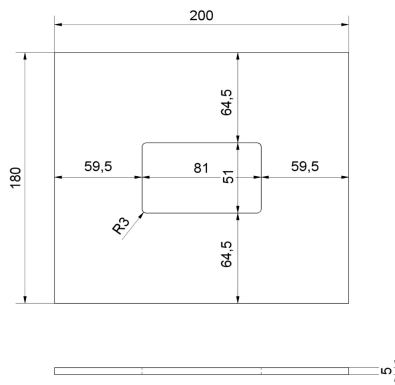
## Additional products RVK and TSS

### Rubber flange for RVK/TSS 41, 101 and TSS 102

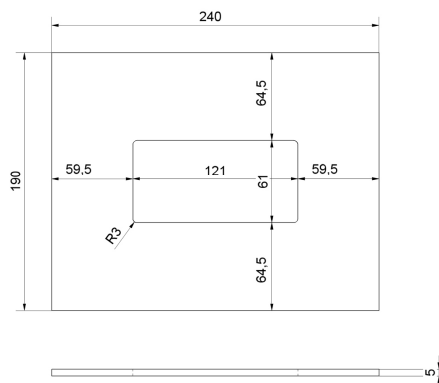
The flange is made of rubber elastomer. Hardness = 60 shore. The flange is suitable for impact sound insulation, when it is embedded in the landing.



### Flange dimensions for RVK/TSS 41



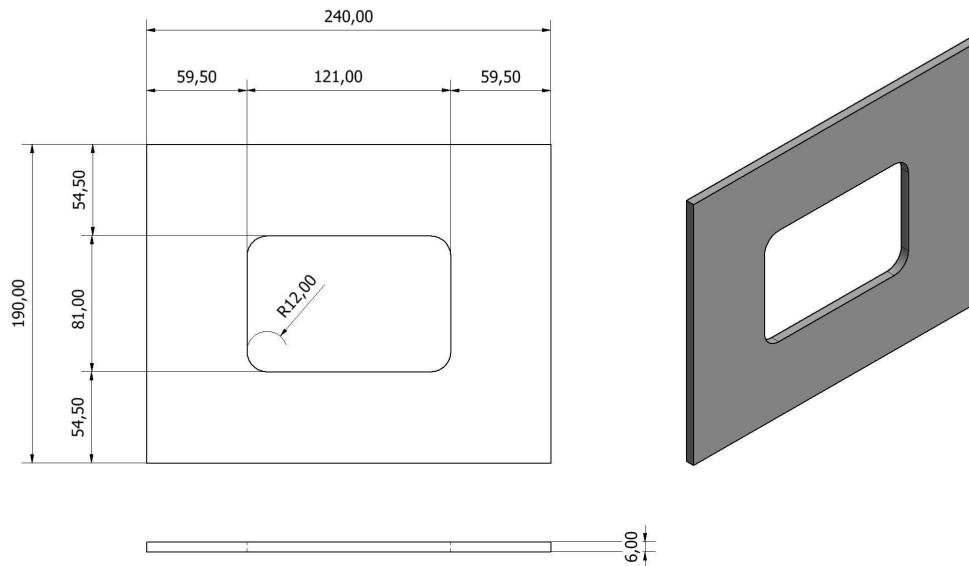
### Flange dimensions for RVK/TSS 101



Date :	04.08.05	Sign: tb
Last rev:	31.10.12	Sign: tb
Doc. No:	K3-11/9E	Sign: tb
Page 2 of 5		

## Additional products RVK and TSS

Flange dimensions for TSS 102



## Form box for recess for RVK/TSS 40 og 100

The box is made of rubber elastomers. Hardness = 60 shore.

It can be delivered with or without magnets.

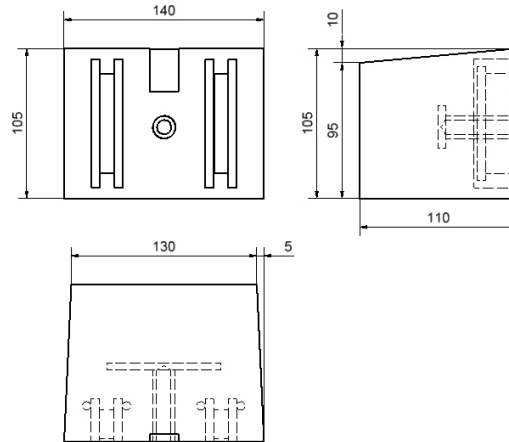
The unit **must** be lubricated with surface retarder before casting.



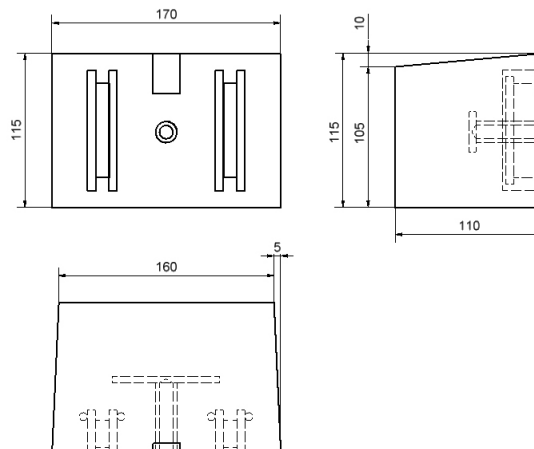
Date :	04.08.05	Sign: tb
Last rev:	31.10.12	Sign: tb
Doc. No:	K3-11/9E	Sign: tb
Page 3 of 5		

## Additional products RVK and TSS

Typical dimension for the form box for RVK/TSS 41



Typical dimension for the form box for RVK/TSS 101 and 102



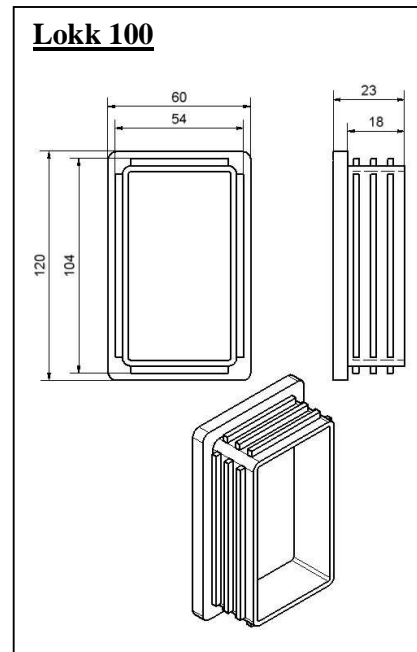
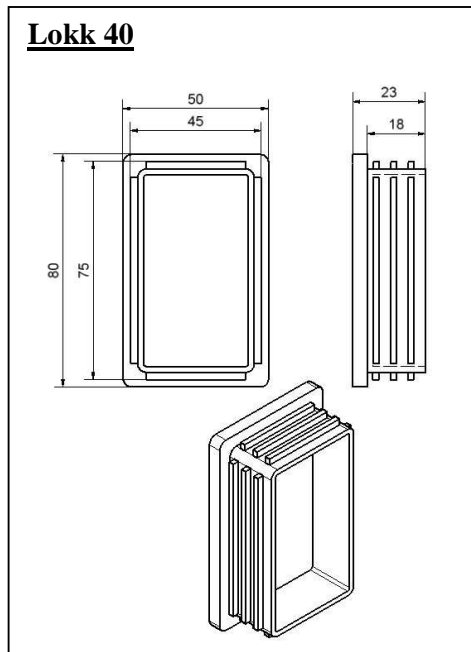
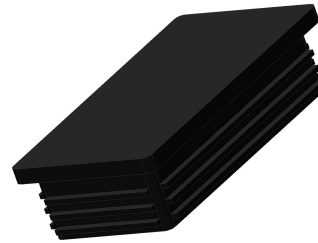
Date :	04.08.05	Sign: tb
Last rev:	31.10.12	Sign: tb
Doc. No:	K3-11/9E	Sign: tb
Page 4 of 5		

## Additional products RVK and TSS

### Guiding piece/ lid for TSS and RVK

The guiding pieces are made of polyethylene PE. And can also be used as a lid for the TSS/ RVK units when they are stored outside.

Article no.	Description
Lokk 40	Lokk 80x50x4 PE
Lokk 100	Lokk 120x60x4 PE



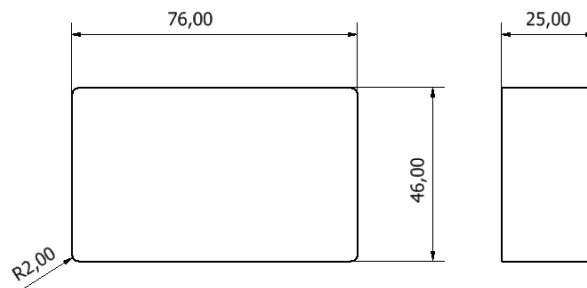
Date :	04.08.05	Sign: tb
Last rev:	31.10.12	Sign: tb
Doc. No:	K3-11/9E	Sign: tb
Page 5 of 5		

## Additional products RVK and TSS

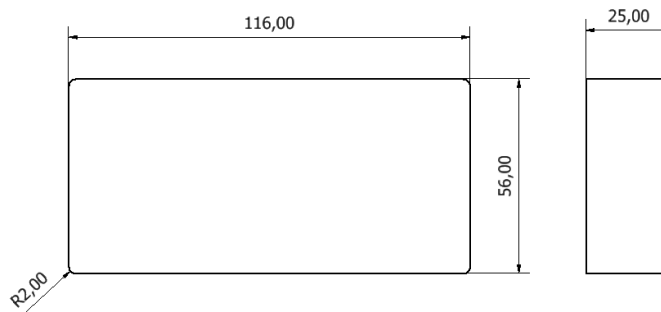
### Winter storage.

This product is used to prevent water and snow entering the RVK/TSS device when the landing is stored outside, especially in winter.

The product is made of EPDM POS 300/60, this fabric is water repellent.



Seal 40



Seal 100