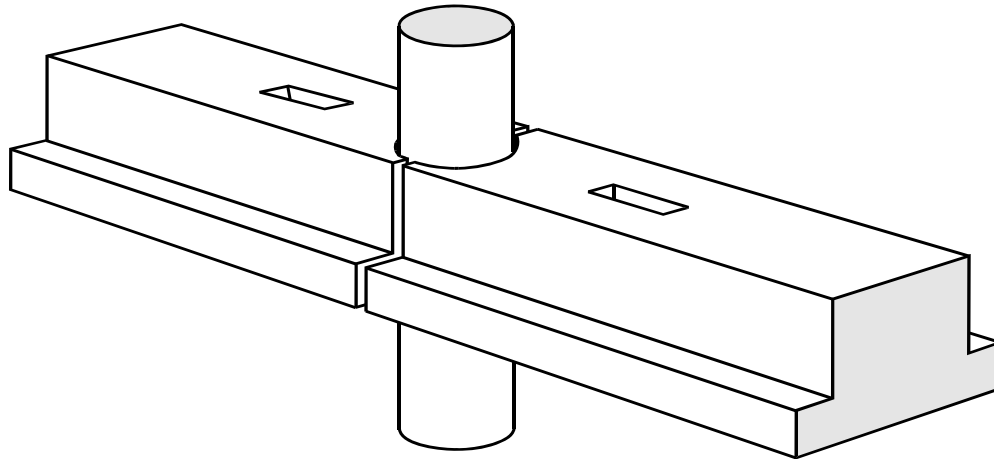


Date :	04.01.94	Sign: bot
Last rev:	24.10.07	Sign: tb
Doc. No:	K4-10/07E	Sign: tb
Page 1 of 1		

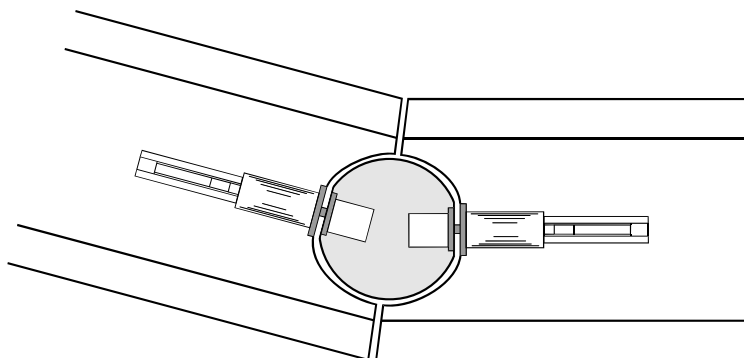
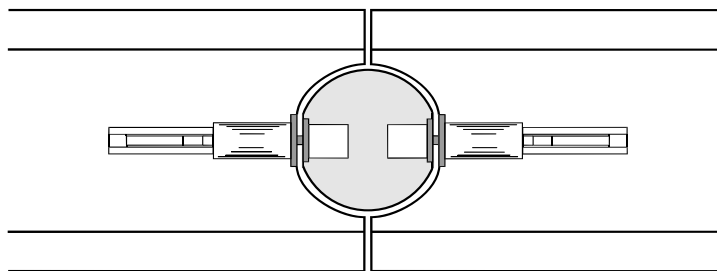
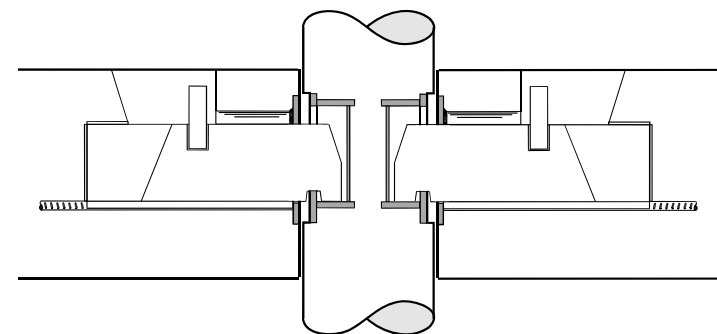
## Circular Columns BSF, BCC



**Note:**

Circular columns may be difficult to align properly during erection. If the BSF/ BCC column units are not aligned, proper joinery between the beams to the column will be a problem. To ensure proper alignment, fabrication will have to have a reference between the column base plate orientation and the BSF/ BCC column units.

In the field, the erection crew should use the BSF/ BCC column units as the primary reference when aligning the column. By using both methods, proper alignment and joinery can be achieved.



*Figures shows a BSF unit*