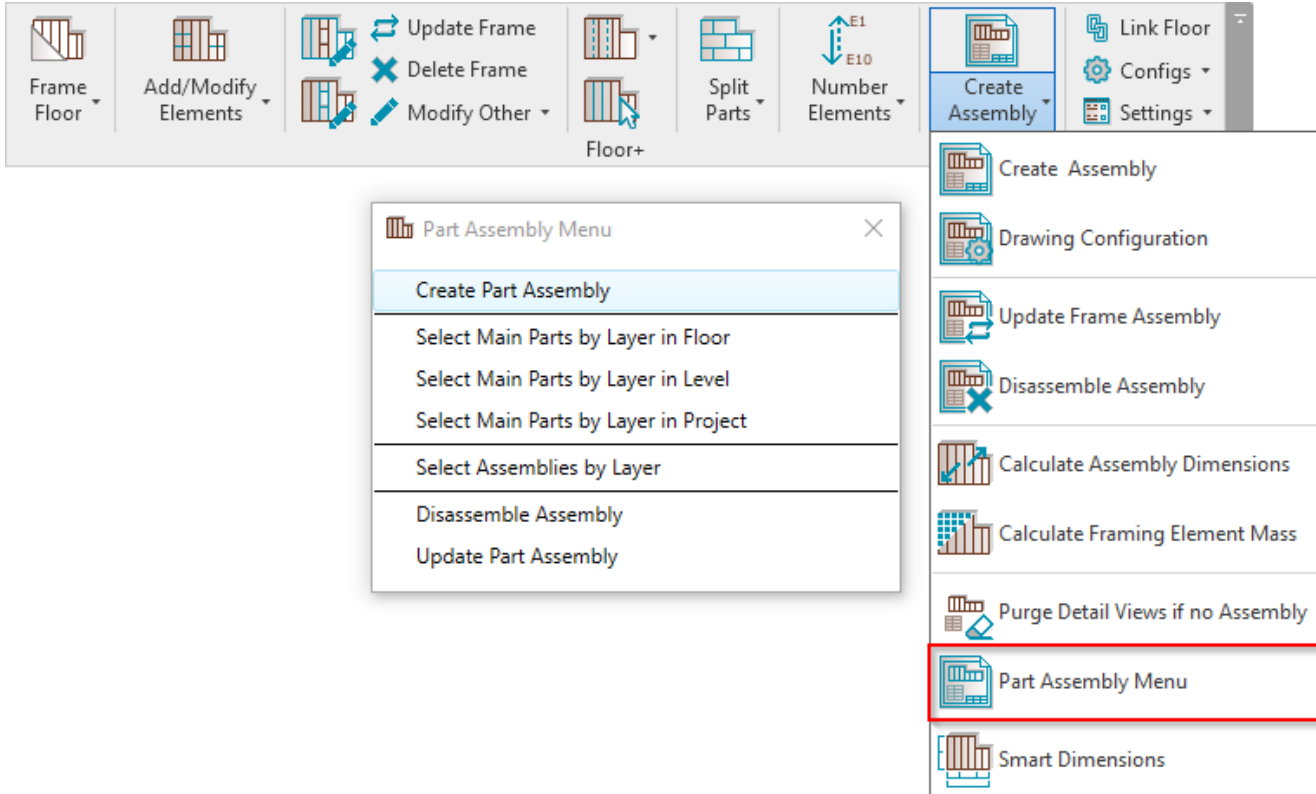


SHOP DRAWINGS – Part Assembly Menu

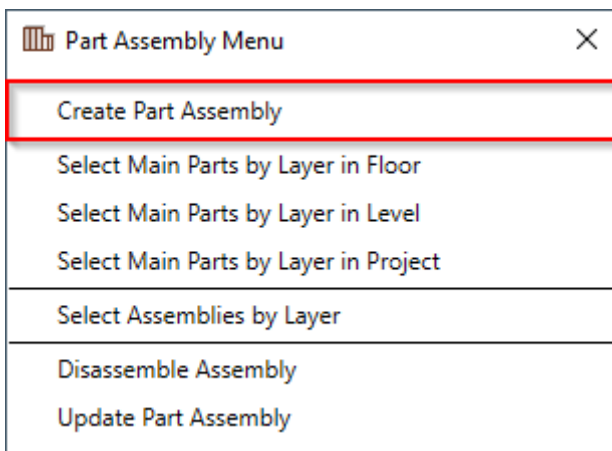
Modified on: Mon, 19 Aug, 2019 at 8:48 PM

Part Assembly Menu



Part Assembly Menu – features for creating a part assembly and different part selection options.

Create Part Assembly

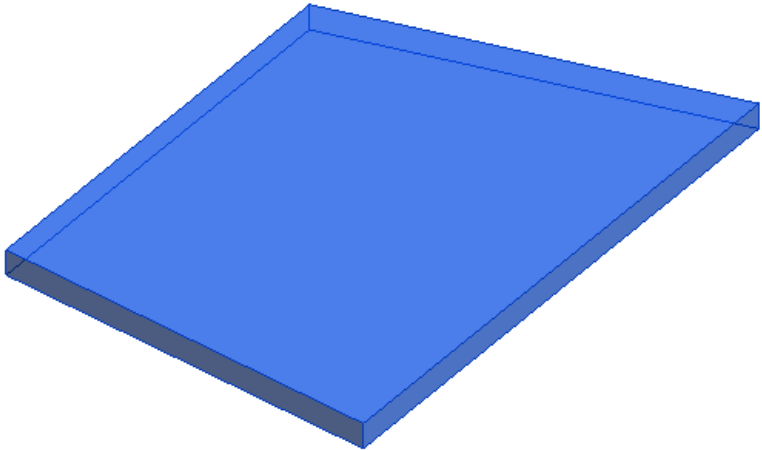


Create Part Assembly – makes shop drawings for selected framed parts. Select any frame of the floor and click Create Part Assembly. The software will create shop drawings according to predefined configurations. You can find shop drawings in Project Browser under Assemblies.

*Mandatory condition: selected part needs to have **Mark** value assigned:*

Properties (3D) Site Level 1 Level 0

Temporary Hide/Isolate



Parts (1) Edit Type

Dimensions	
Volume	0.835 m ³
Area	5.565 m ²
Thickness	150.0
Excluded	<input type="checkbox"/>
Shape is modified	<input type="checkbox"/>

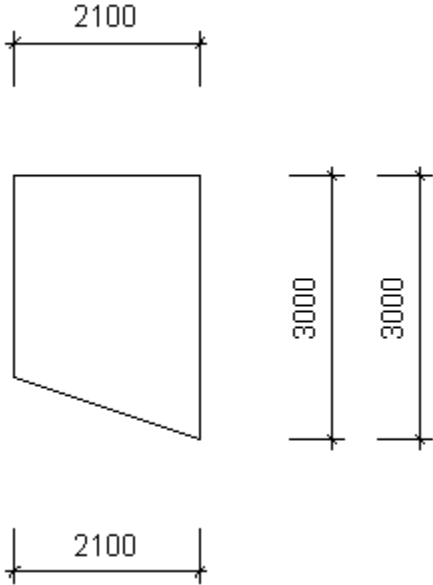
Identity Data	
Assembly Name	8
Image	
Comments	
Mark	P-8
Framing Member	
Framing Member Type	
Framing	
Framing Member Description	
FM SortMark	
Framing Layer	
Framing Member Mark	
FM HostMemberSortMark	
Framing Member Mass	291.965 kg
Framing Member Volume	
SNC	

This value will be used as the assembly name. You can find shop drawings in **Project Browser** under **Assemblies**. An assembly combines all parts in a single entity, which is scheduled and isolated to create shop drawing views with tags and dimensions.

Sheets (all)
Families
Groups
Revit Links
Assemblies

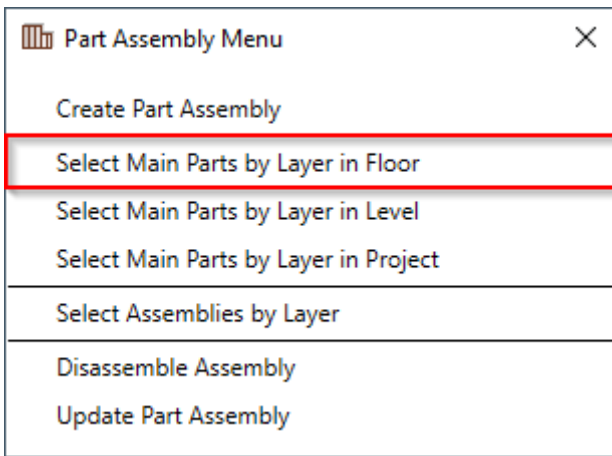
P-8

- 3D View: 3D Ortho
- Detail View: Assembly Front
- Detail View: Batten Bottom
- Detail View: Batten&Sheathing Bottom**
- Detail View: Frame Top
- Detail View: Frame&Sheathing Top
- Schedule: Assembly Material Takeoff
- Schedule: Assembly Part List
- Schedule: Batten
- Schedule: Bottom Sheathing
- Schedule: Frame
- Schedule: Top Sheathing
- Sheet: 8 -1 - Sheet
- Sheet: 8 -2 - Sheet



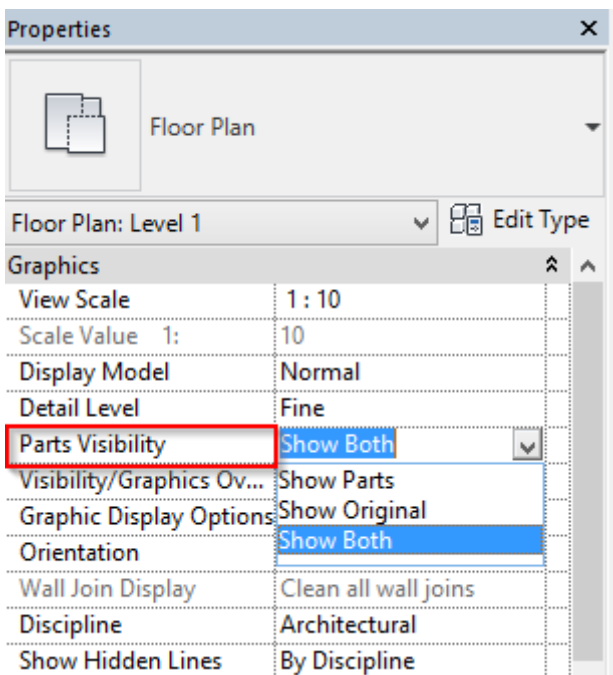
1: 100

Select Main Parts by Layer in Floor

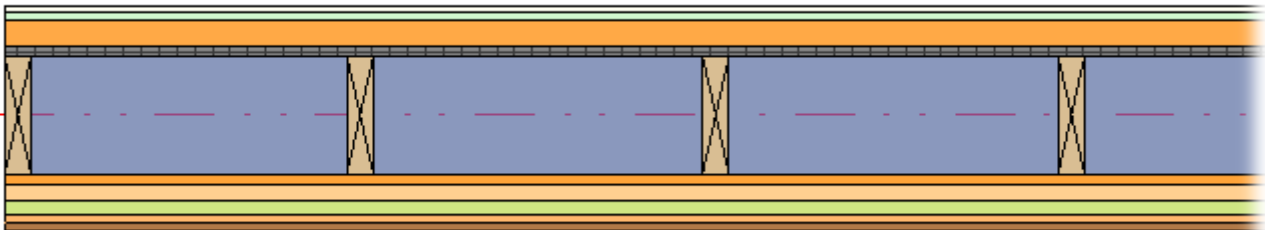


Select Main Parts by Layer in Floor – selects main parts in the framed floor.

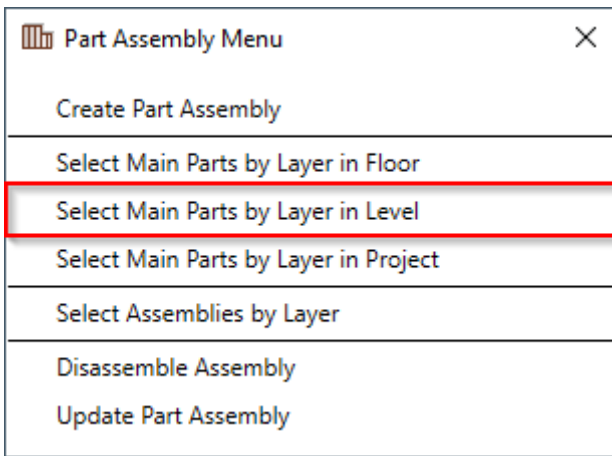
Make sure **Show Parts** or **Show Both** is selected in **View Properties** → **Parts Visibility**:



*Example: Click **Select Main Parts by Layer in Floor** and you will able to select only main parts from the framed floor:*

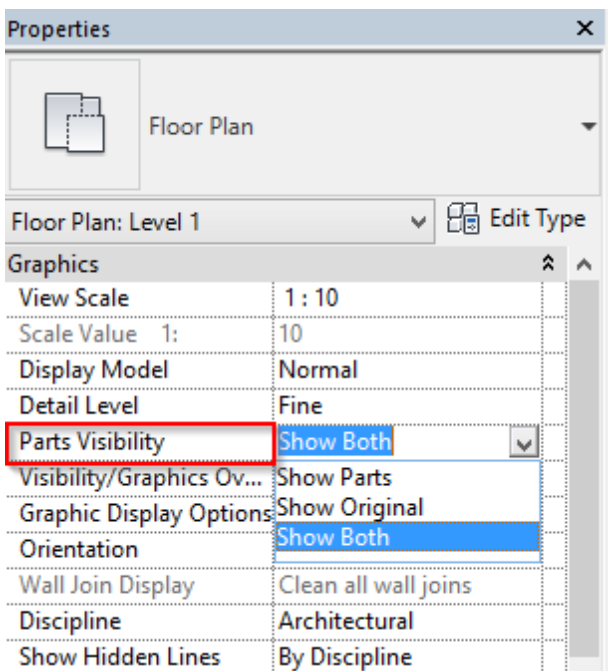


Select Main Parts by Layer in Level

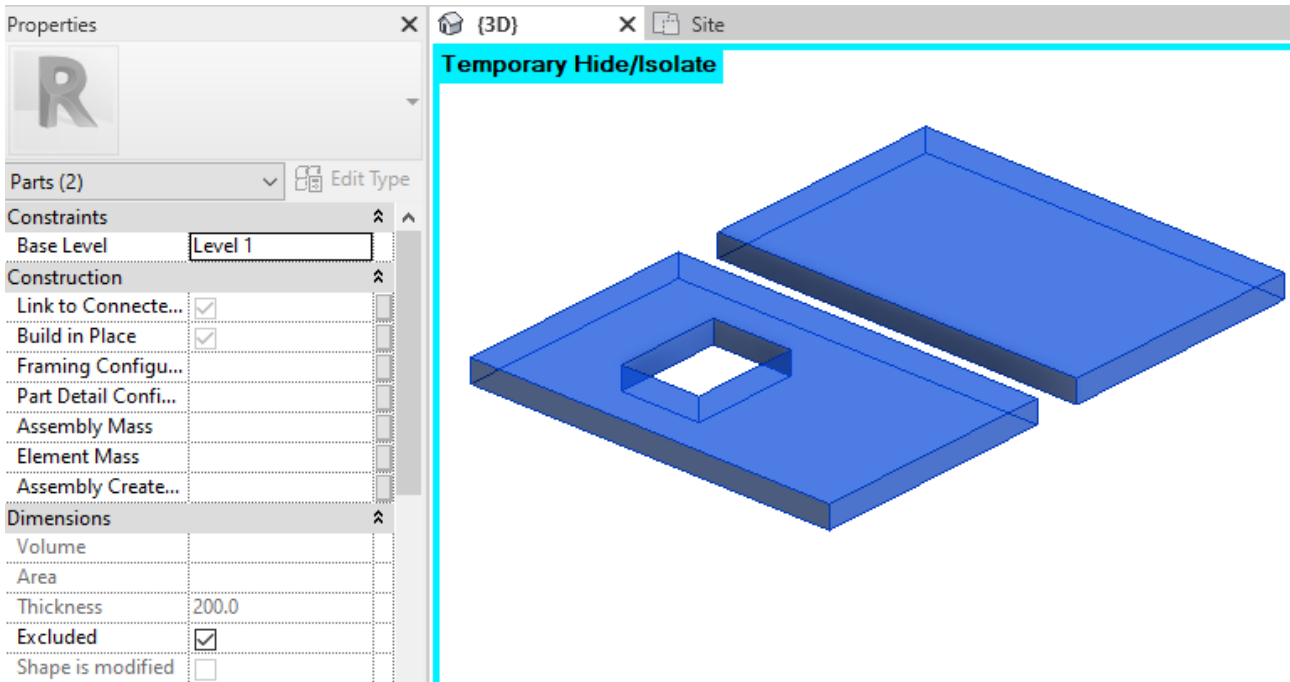


Select Main Parts by Layer in Level – selects main parts in floor frames of the same type in the same level.

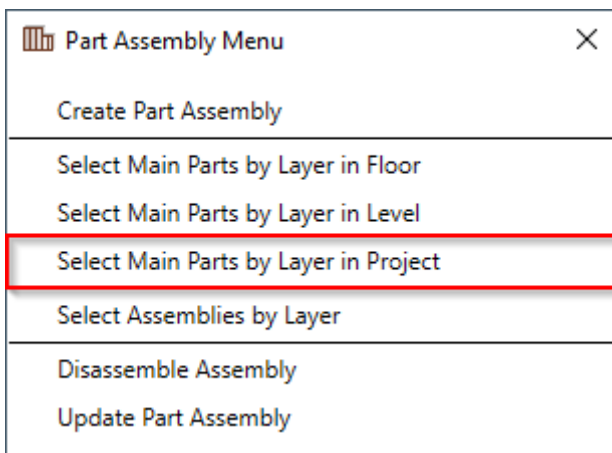
Make sure **Show Parts** or **Show Both** is selected in **View Properties** → **Parts Visibility**:



*Example: Click **Select Main Parts by Layer in Level** → Select one main part in the framed floor → All main parts of the same type in the same level will be selected:*

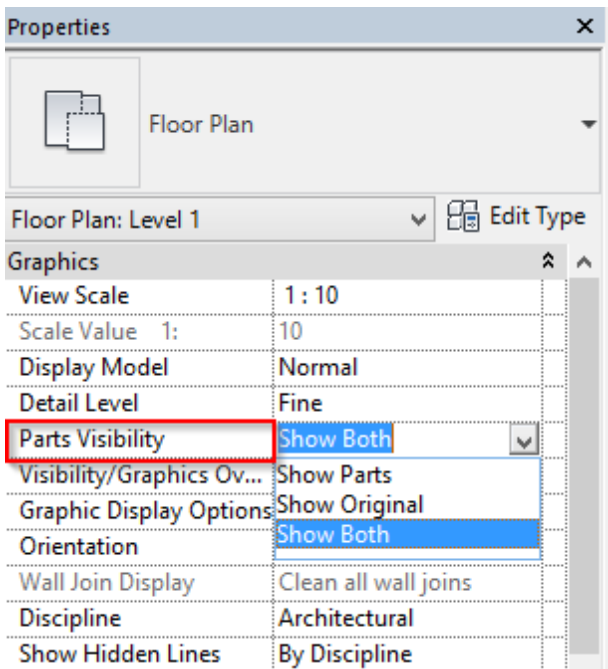


Select Main Parts by Layer in Project

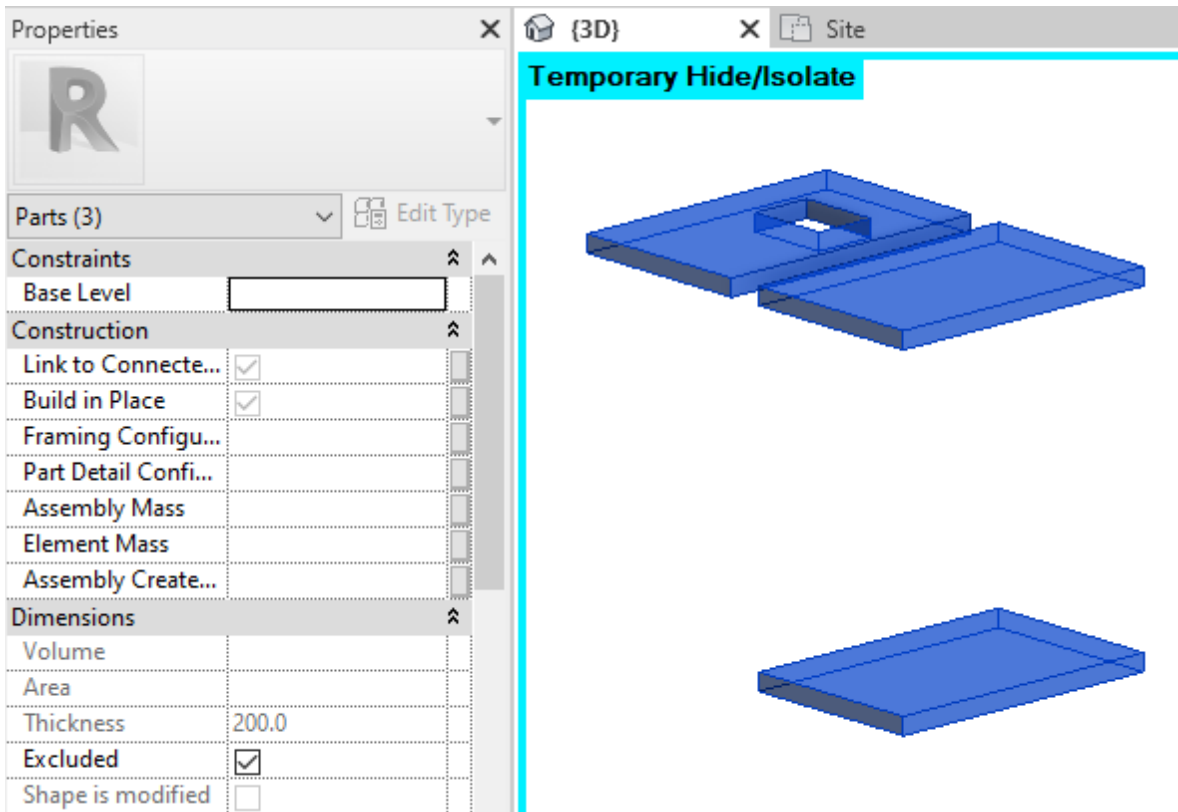


Select Main Parts by Layer in Project – selects main parts in floor frames of the same type in the whole project.

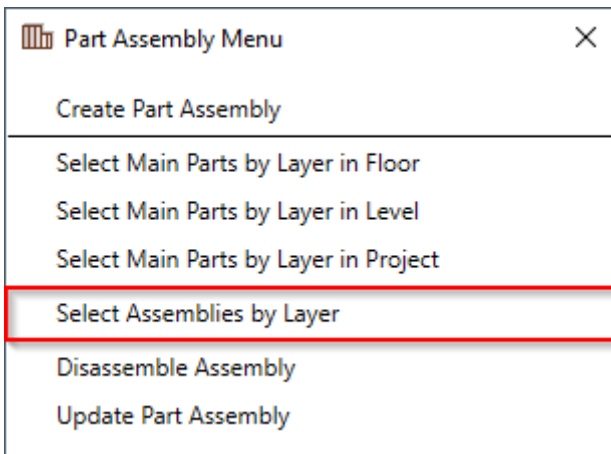
Make sure **Show Parts** or **Show Both** is selected in **View Properties** → **Parts Visibility**:



*Example: Click **Select Main Parts by Layer in Project** → select one main part in the framed floor → all main parts of the same type in the whole project will be selected. In the image below, the main parts of the external floors are selected from all levels:*

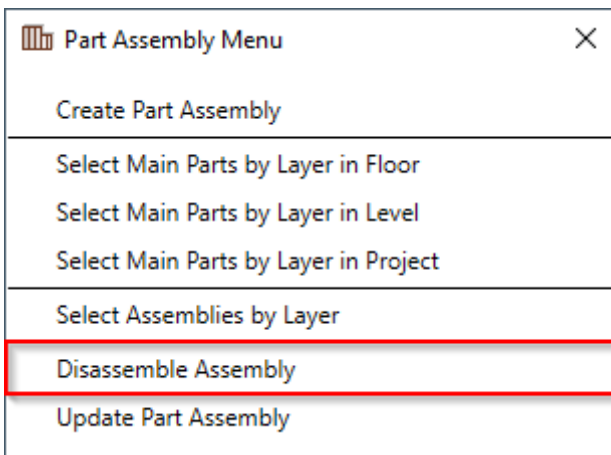


Select Assemblies by Layer



Select Assemblies by Layer – selects all part assemblies from the same floor. You just need to select one assembly and the others will automatically be selected.

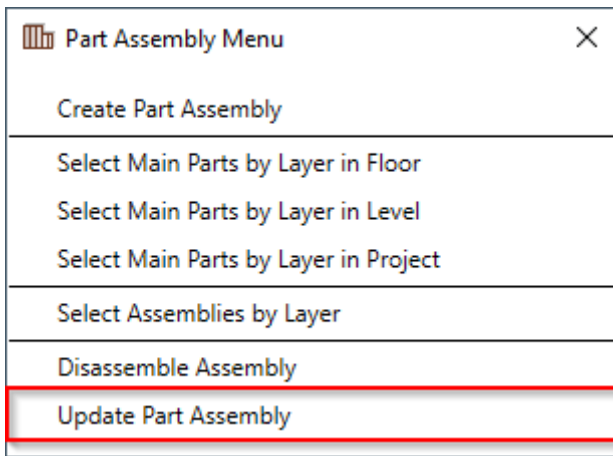
Disassemble Assembly



Disassemble Assembly – removes the assembly relationship between elements in the selected assembly and all associated views.

Recommended workflow: Instead of **Revit** → **Disassemble**, we recommend using **Floor+** → **Part Assembly Menu** → **Disassemble Assembly** as it doesn't show unnecessary pop-ups and deletes the gravity point.

Update Part Assembly



Update Part Assembly – updates the selected part assembly if any changes were made to the parts or to the **Drawing Configuration**.