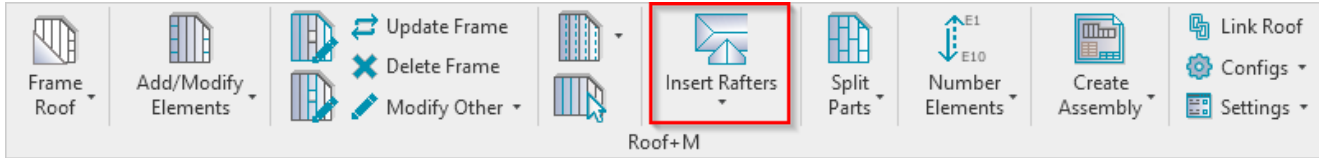


INSERT RAFTERS

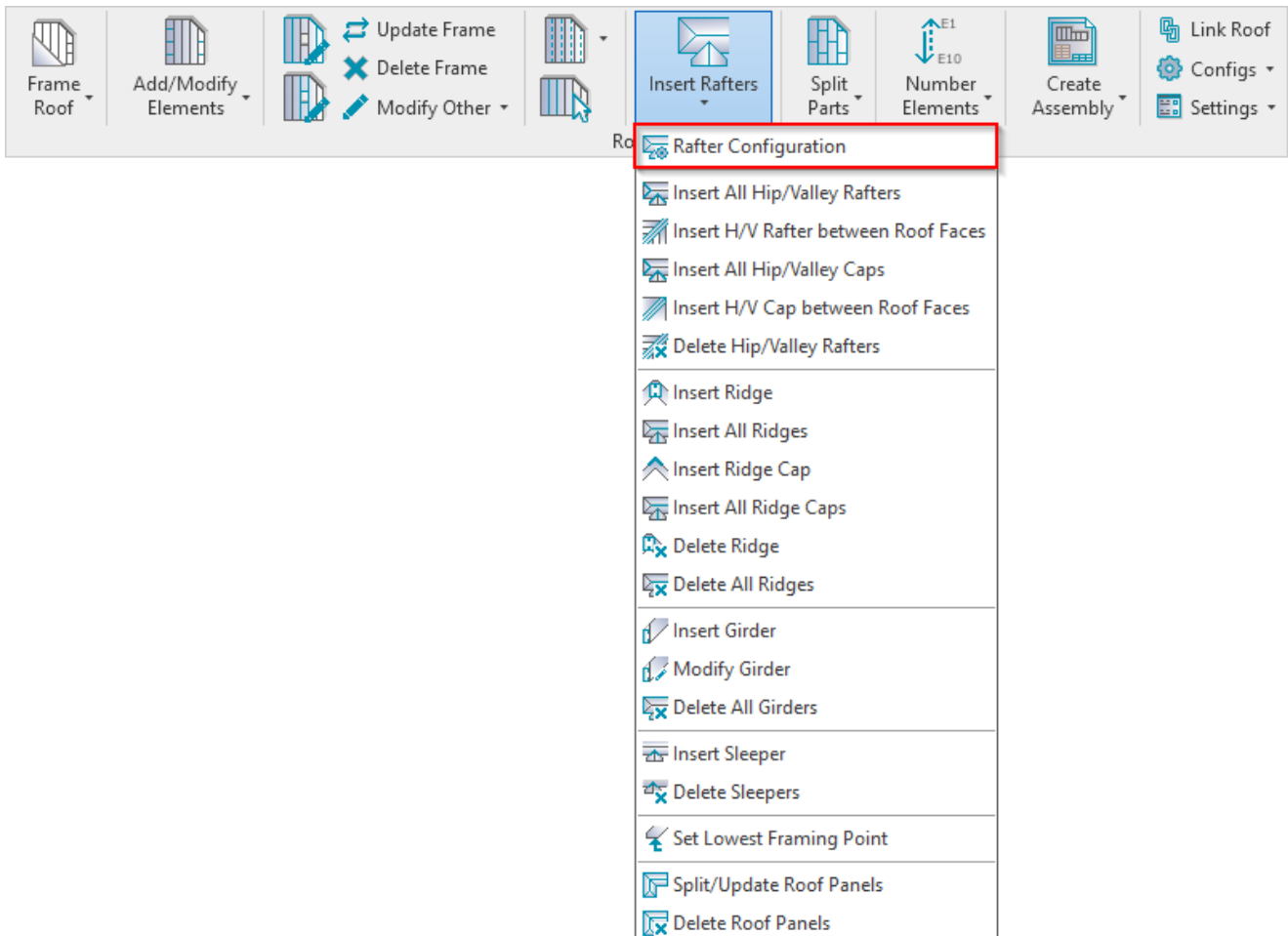
Modified on: Thu, 19 Sep, 2019 at 12:19 PM

Insert Rafters



Insert Rafters - features for convenient and automatic placement of hip/valley rafters, ridges and girders.

Rafters Configuration



R Rafters Configuration — □ ×

Configuration Type: Frame ▾

Configuration Name: Default Configuration ▾ Save Duplicate... Rename... Delete

Rafters Configuration Marks

Hip Type

Type: M_MF Hip Rafter: C30535-15 ▾

Width (b): 70 mm

Depth (h,d): 305 mm

Double Hip Rafter:

Valley Type

Type: M_MF Valley Rafter: C30535-15 ▾

Width (b): 70 mm

Depth (h,d): 305 mm

Double Valley Rafter:

Ridge Type

Type: M_MF Ridge Joist: C30535-15 ▾

Width (b): 70 mm

Depth (h,d): 305 mm

Girder Type

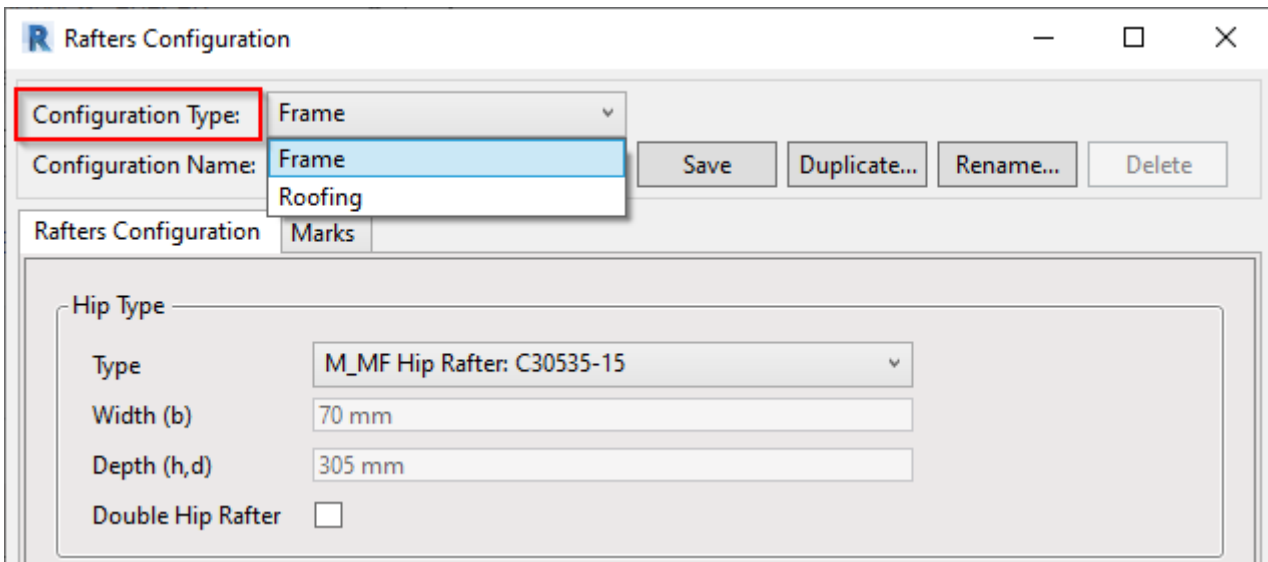
Type: M_MF Girder Joist: C30535-15 ▾

Width (b): 70 mm

Depth (h,d): 305 mm

OK Cancel

Rafter Configuration – defines hip, valley, ridge, and girder settings. These settings can be saved under different names and for different roofs.

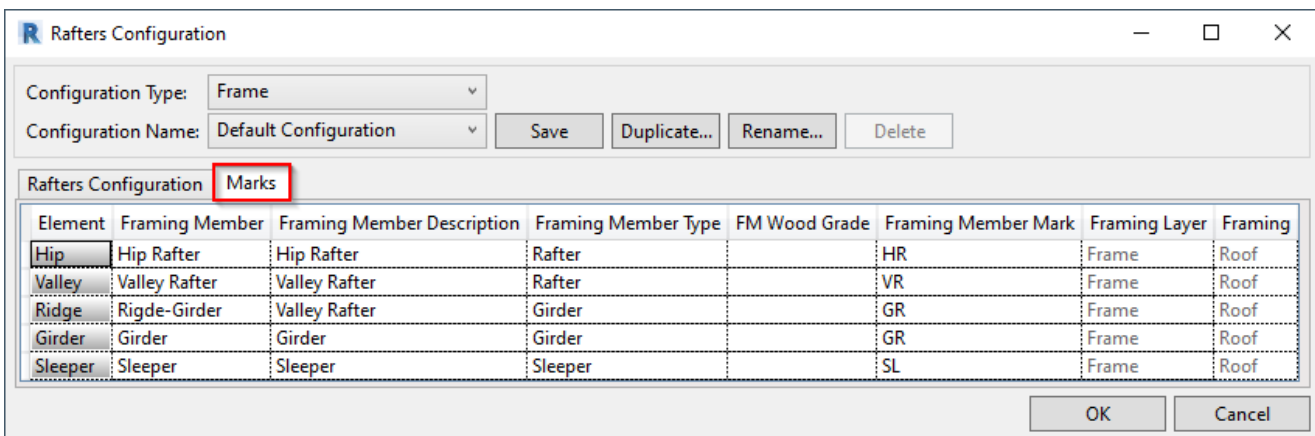


Configuration Type – all settings are grouped separately for the main frame and for the roofing.

Type – select the family and type that will be used for hip, valley, ridge, and girders. Sample families are included with **Roof+M** and may be loaded via **Roof+M** → **Settings** → **Load Families**.

Width (b) – shows b size of selected type.

Depth (h,d) – shows h or d size of selected type.

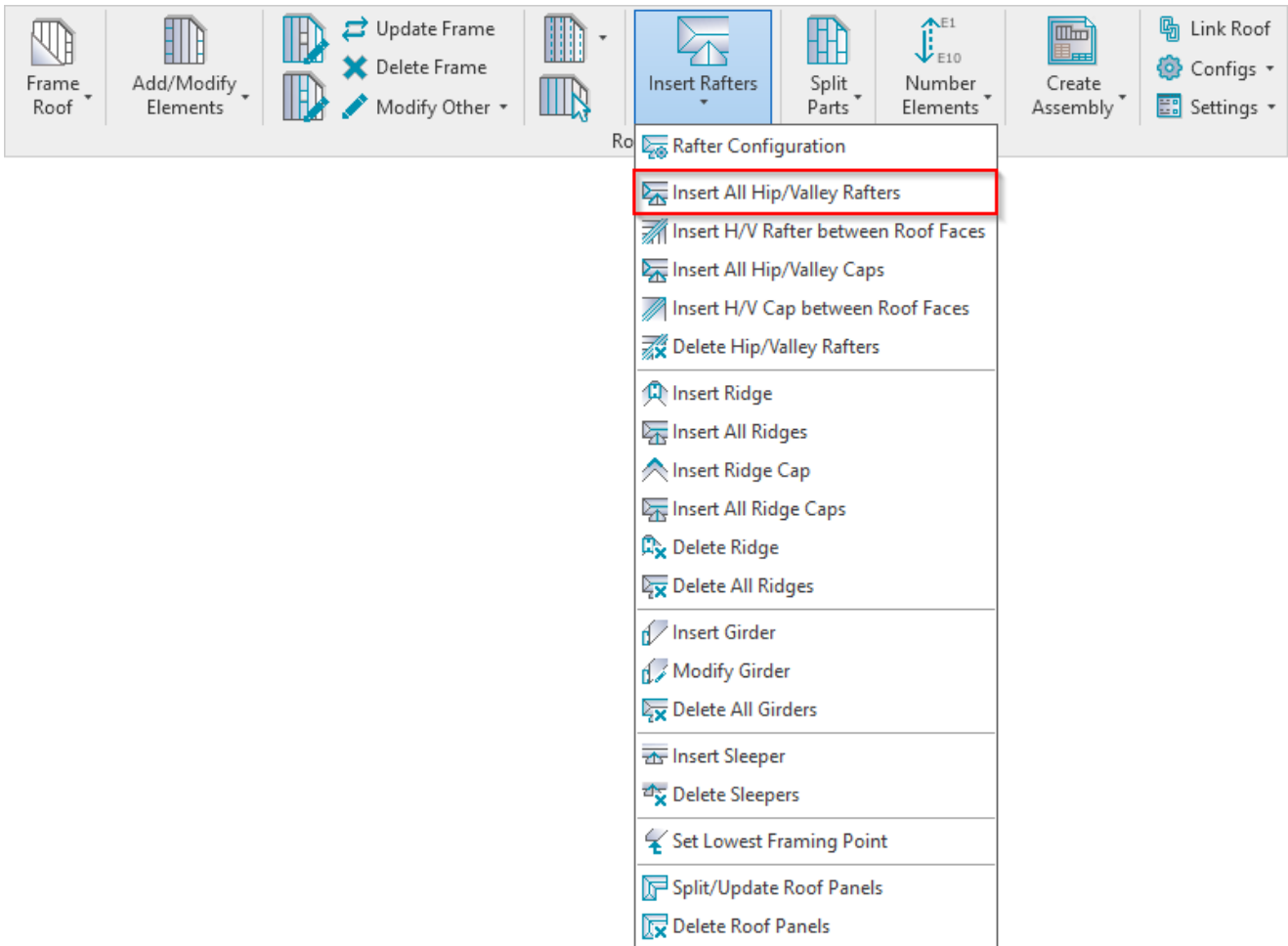


Marks – naming convention of framing members. You can set individual mark settings for each part of the frame for easy preparation of shop drawings. The column names are shared parameters that will be used later in schedules and tags.

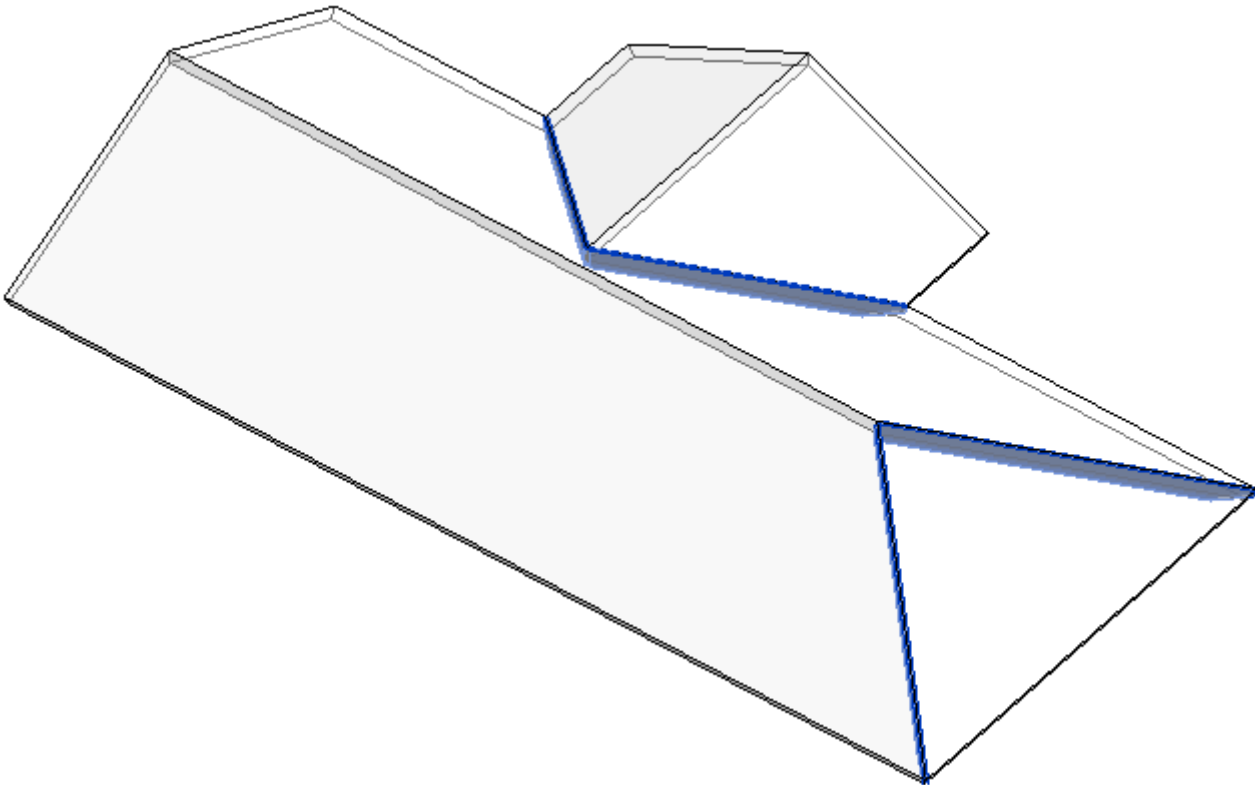
*Pay special attention to **Framing Member Mark** – the symbol used for marking framing elements.*

These values will be automatically added to the frame after adding rafters.

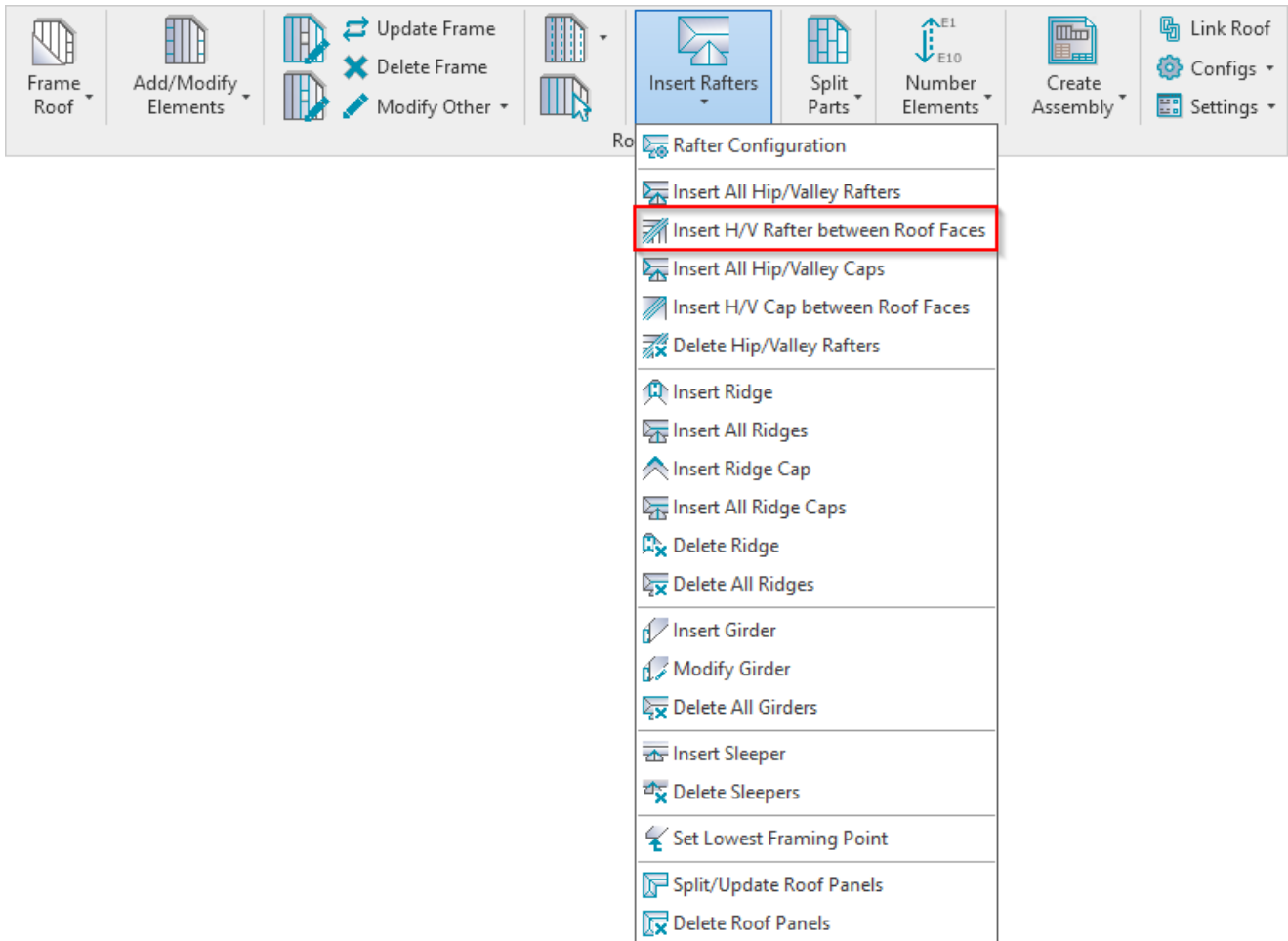
Insert all Hip/Valley Rafters



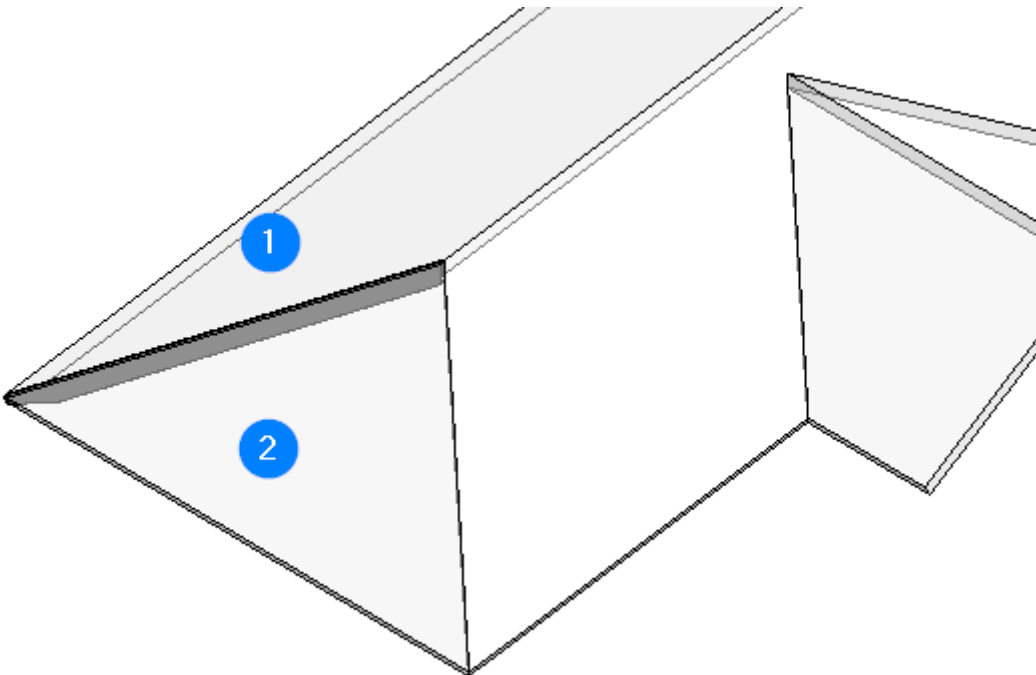
Insert all Hip/Valley Rafters – inserts hip and valley rafters in selected roof. Before inserting, predefine hip and valley rafter types in **Rafter Configuration**.



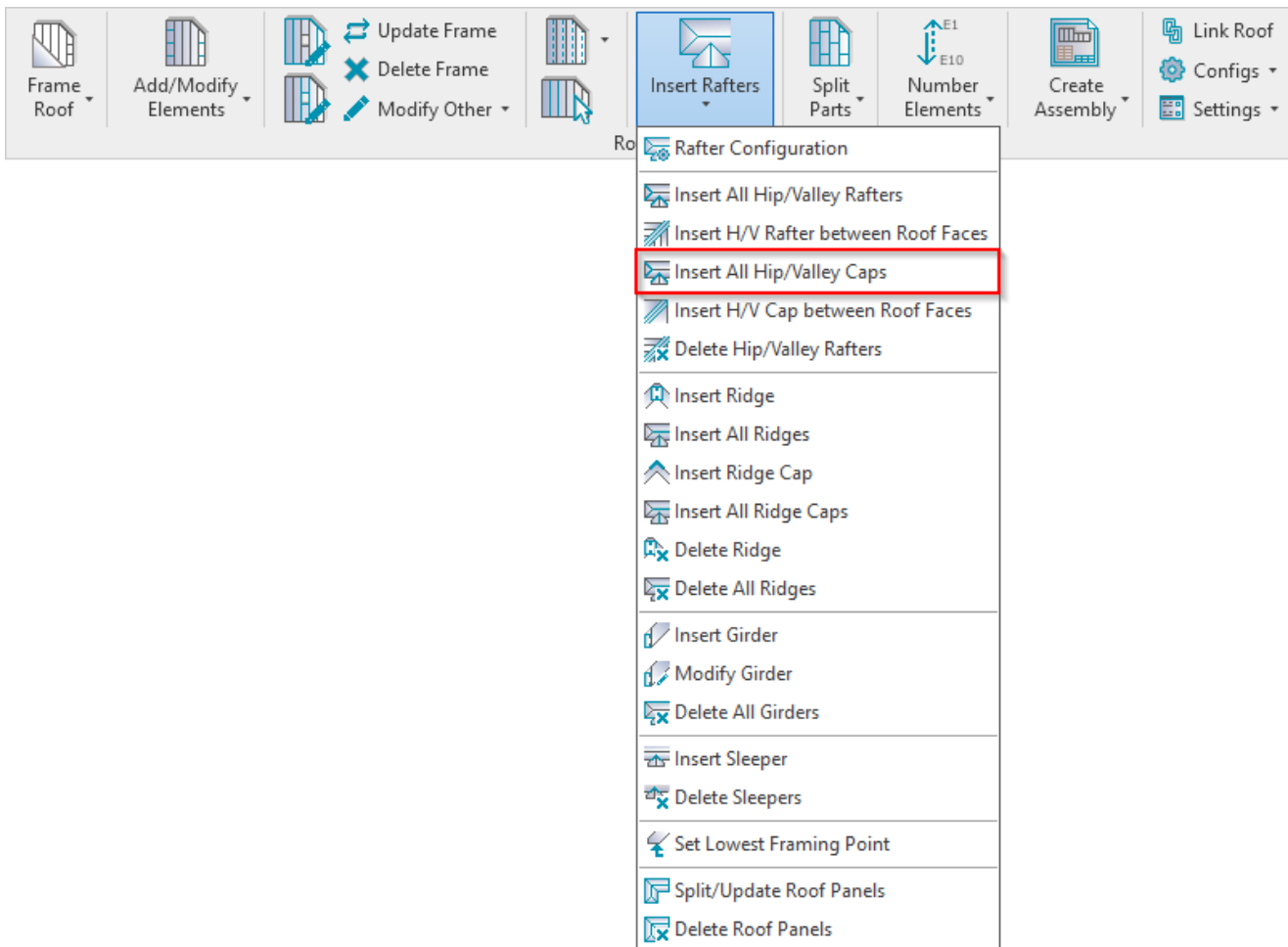
Insert H/V Rafter between Roof Faces



Insert H/V Rafter between Roof Faces – inserts hip or valley rafters between two selected roof faces. Before inserting, predefine hip and valley rafter types in **Rafter Configuration**.

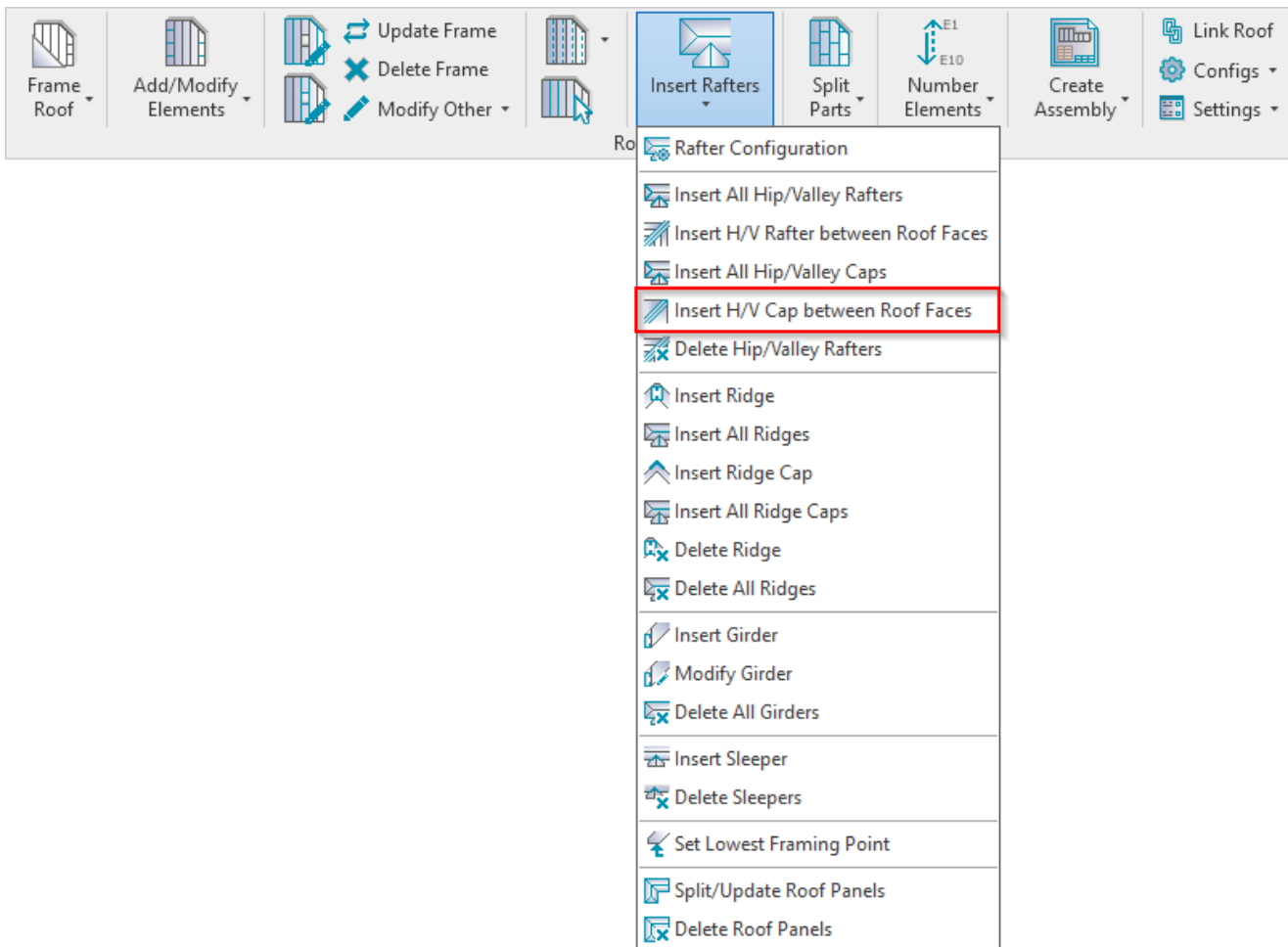


Insert all Hip/Valley Caps



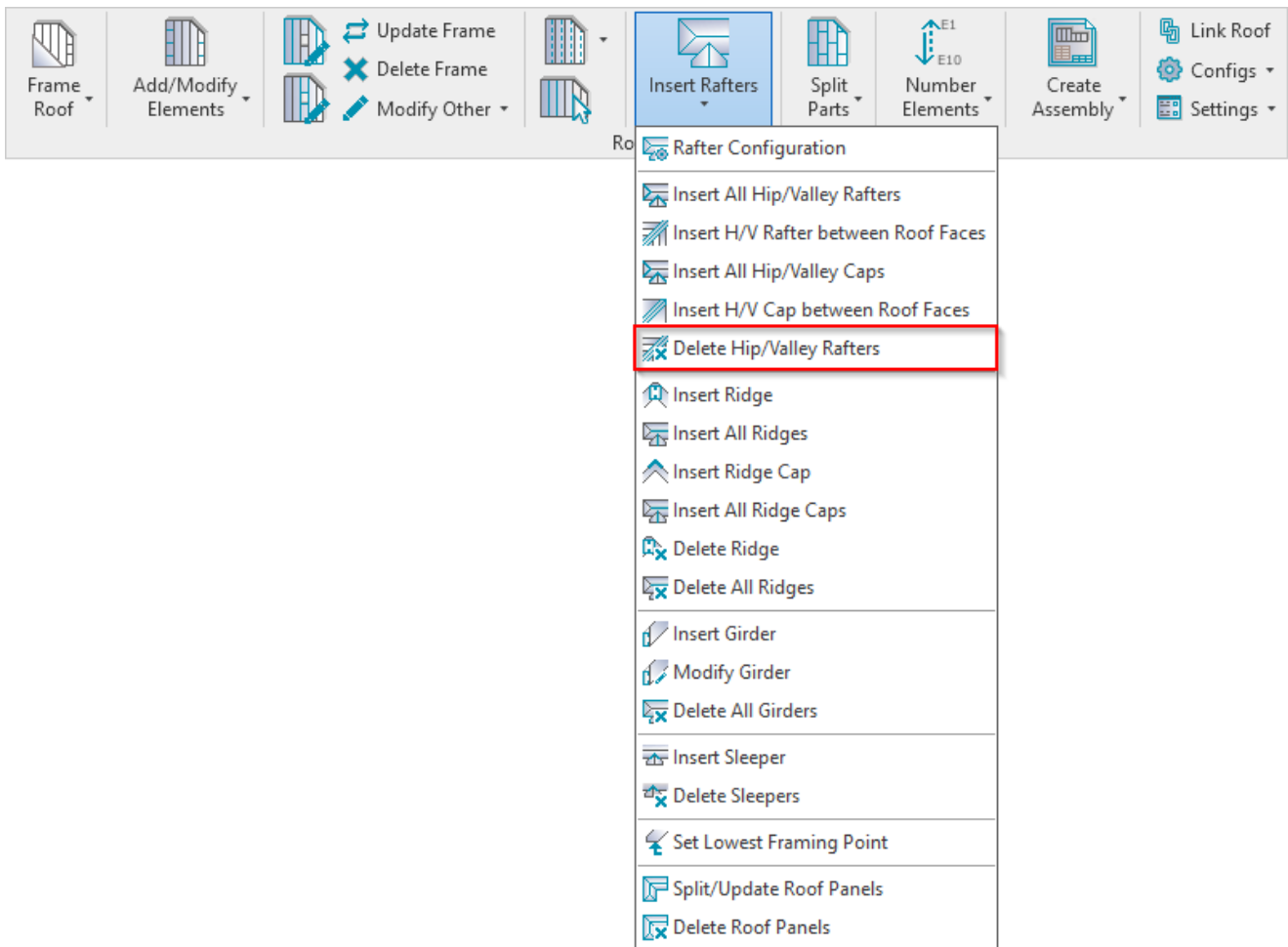
Insert all Hip/Valley Caps – inserts hip and valley caps on selected roof. Before inserting, predefine hip and valley cap types in **Rafter Configuration**.

Insert H/V Cap between Roof Faces



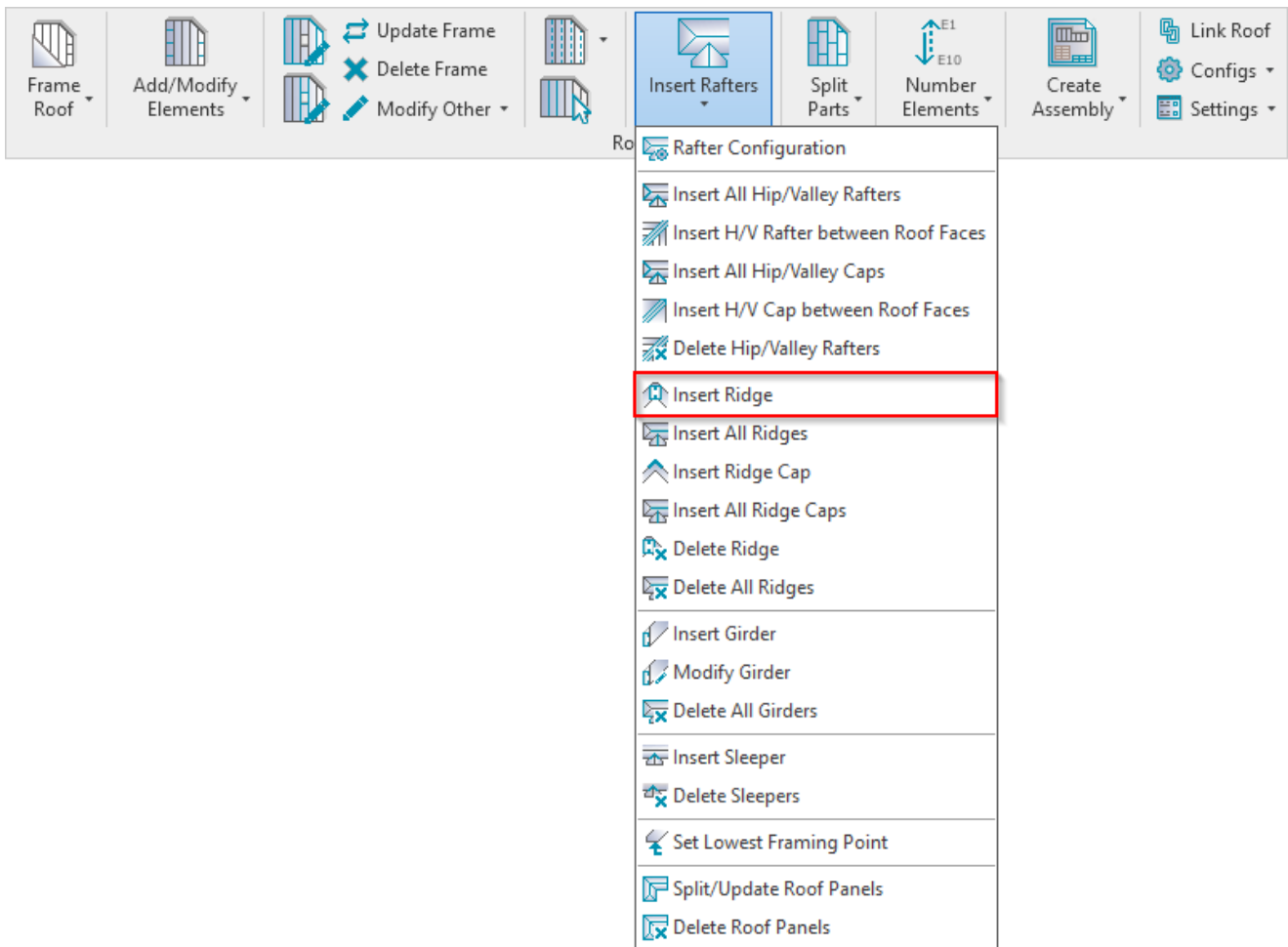
Insert H/V Cap between Roof Faces – inserts hip or valley caps between two selected roof faces. Before inserting, predefine hip and valley cap types in **Rafter Configuration**.

Delete Hip/Valley Rafters

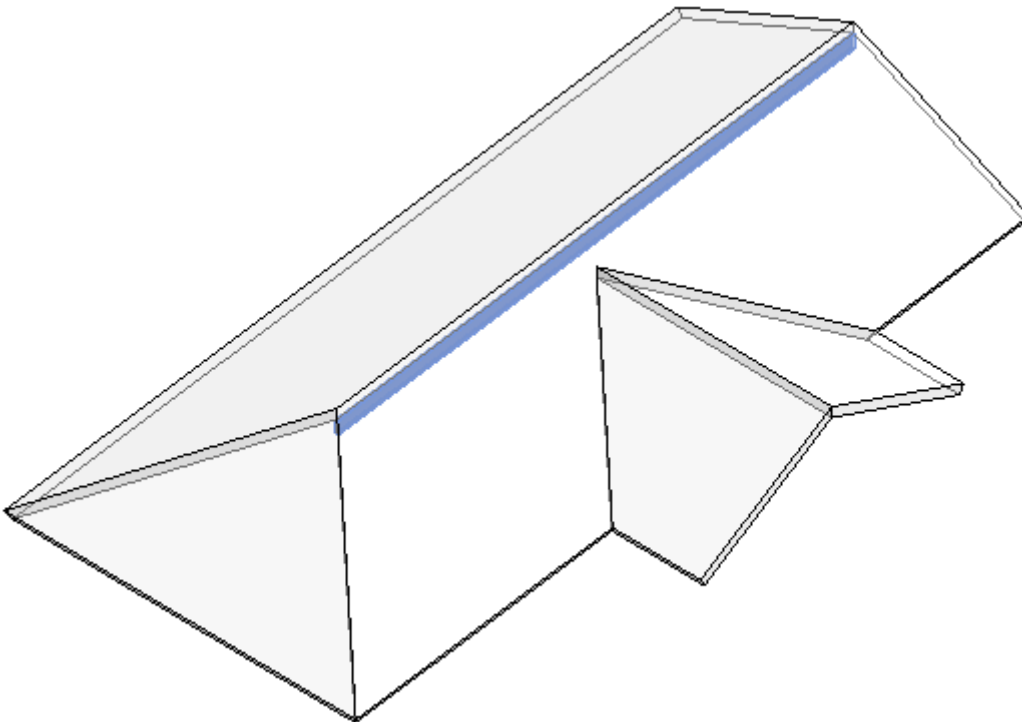


Delete Hip/Valley Rafters – deletes all hip and valley rafters and caps from roof.

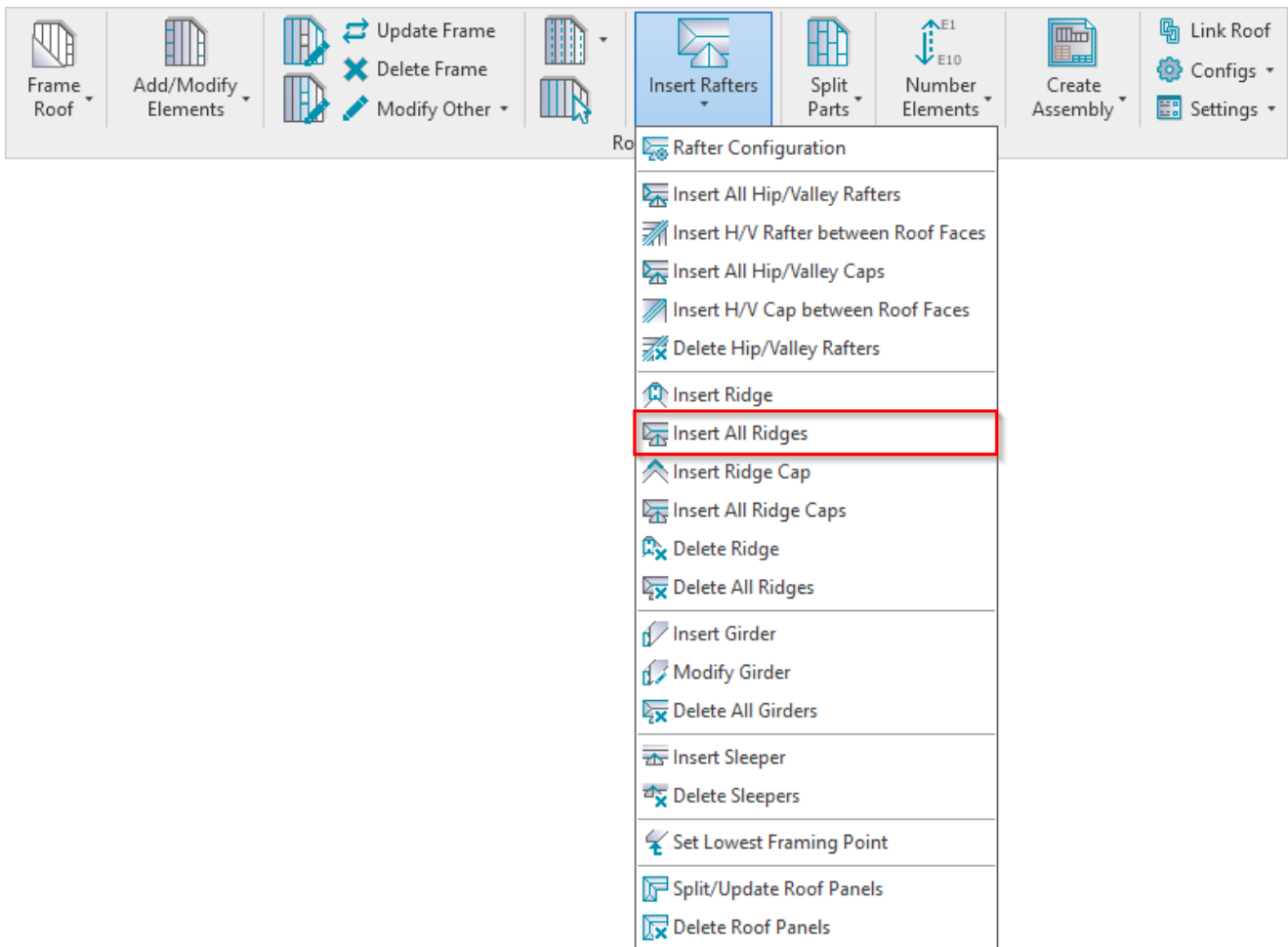
Insert Ridge



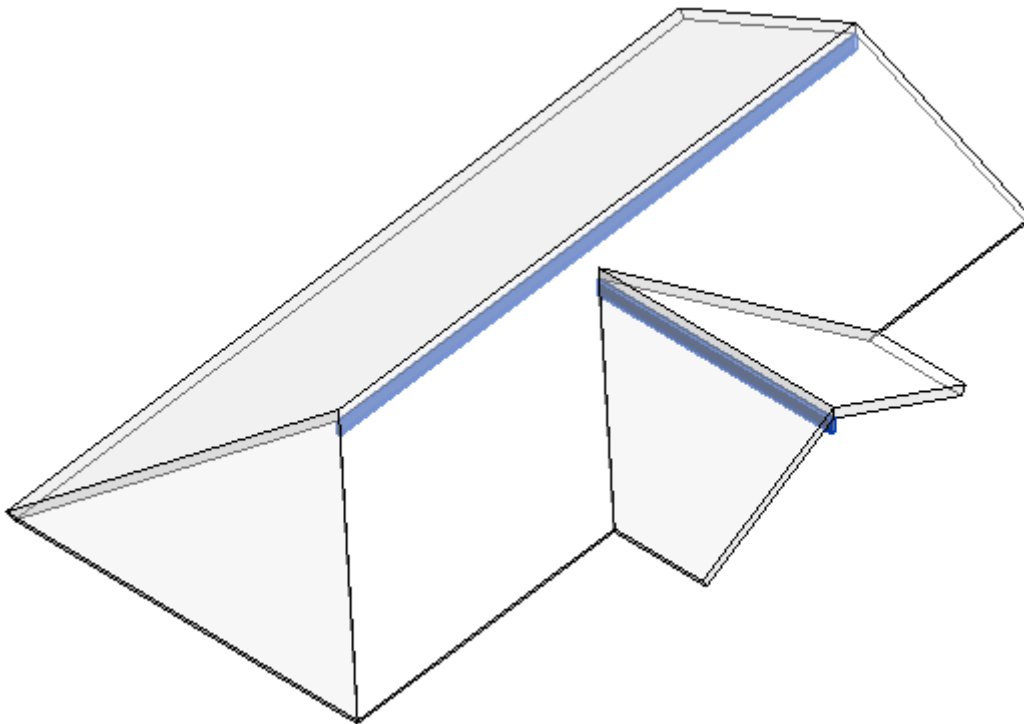
Insert Ridge – inserts ridge beam in selected roof panel. Before inserting, predefine ridge type in **Rafter Configuration**.



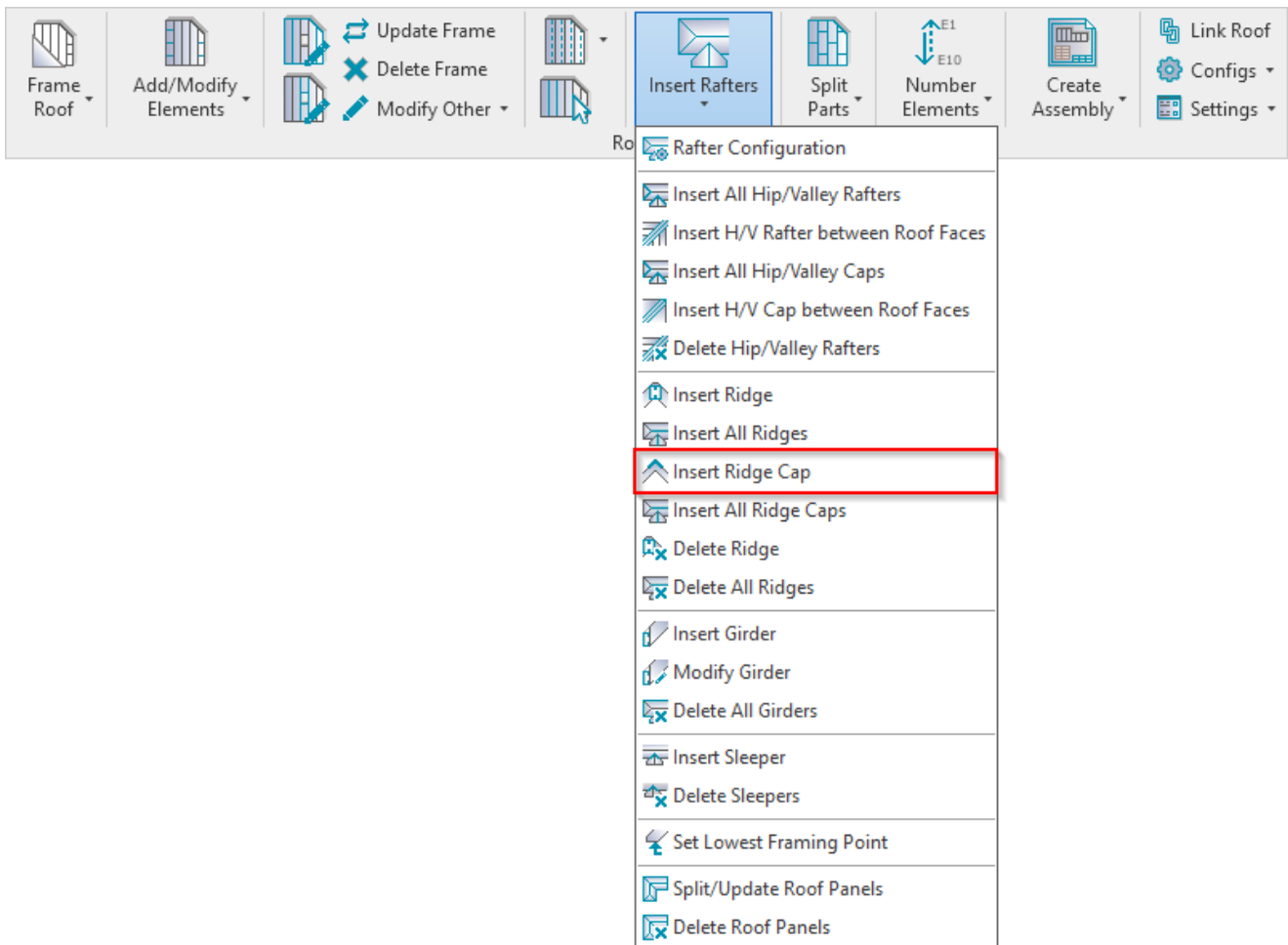
Insert all Ridges



Insert all Ridges – inserts all ridges in selected roof. Before inserting, predefine ridge type in **Rafter Configuration**.

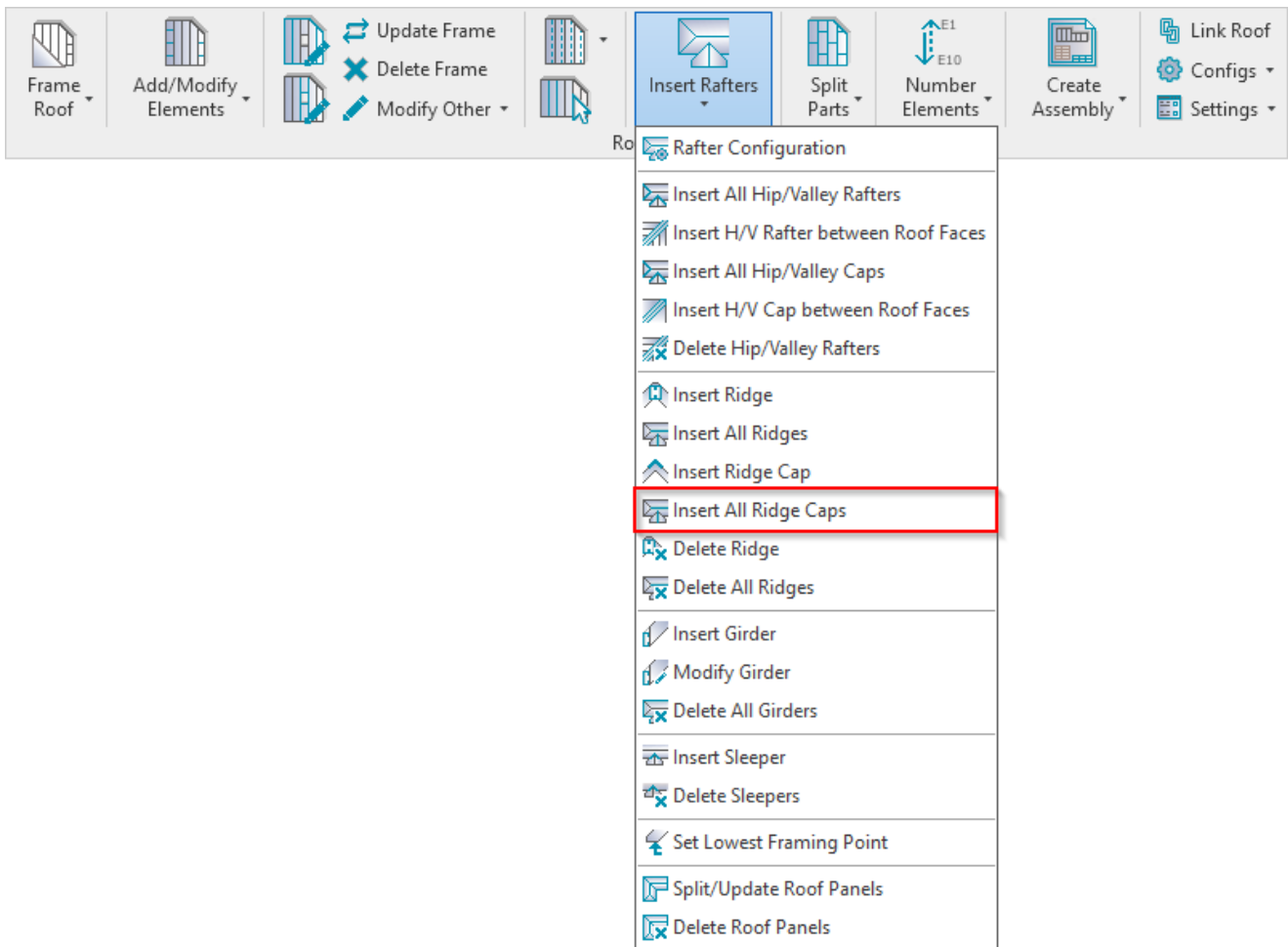


Insert Ridge Cap



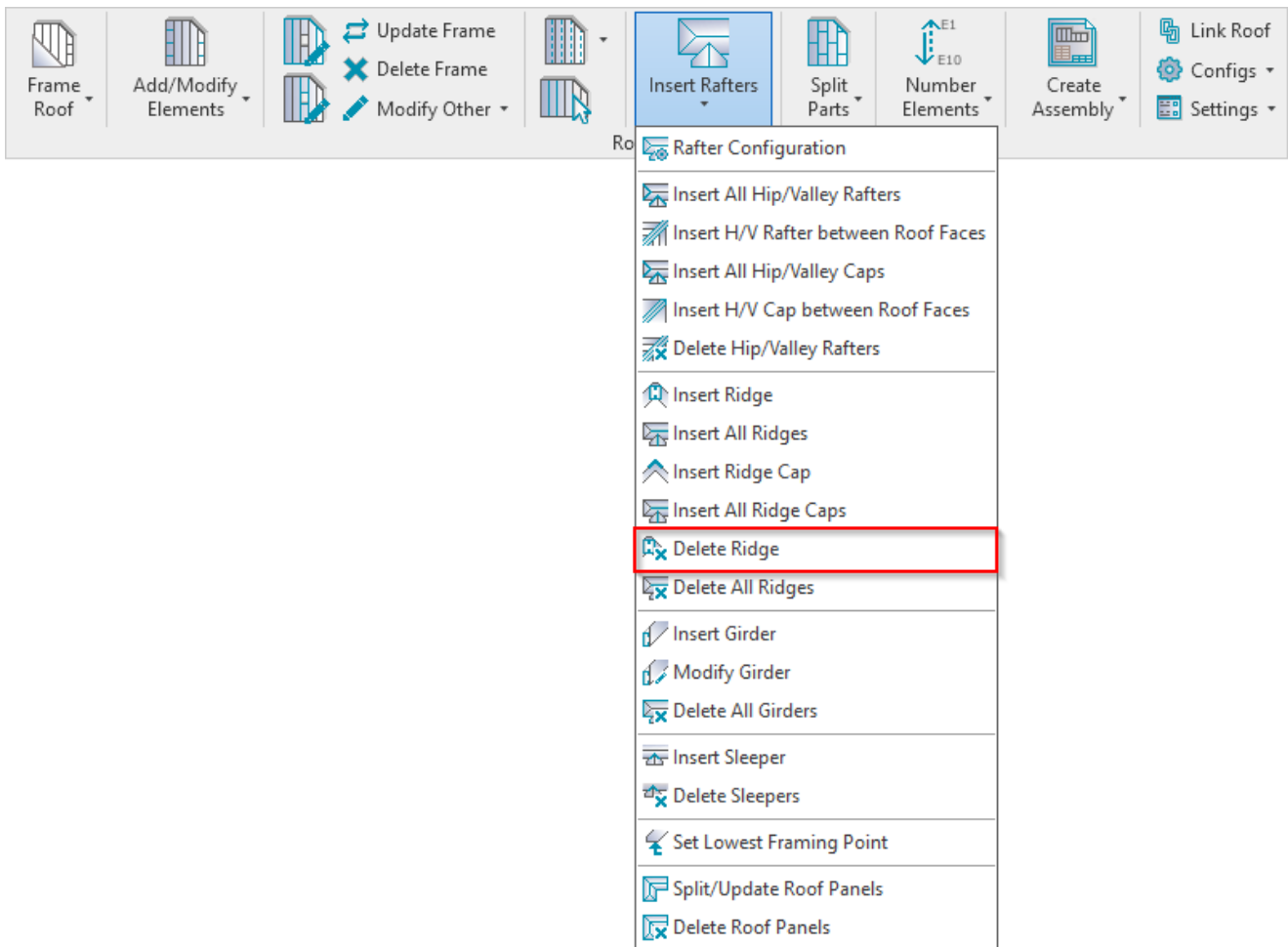
Insert Ridge Cap – inserts ridge cap on selected roof panel. Before inserting, predefine ridge cap type in **Rafter Configuration**.

Insert all Ridge Caps



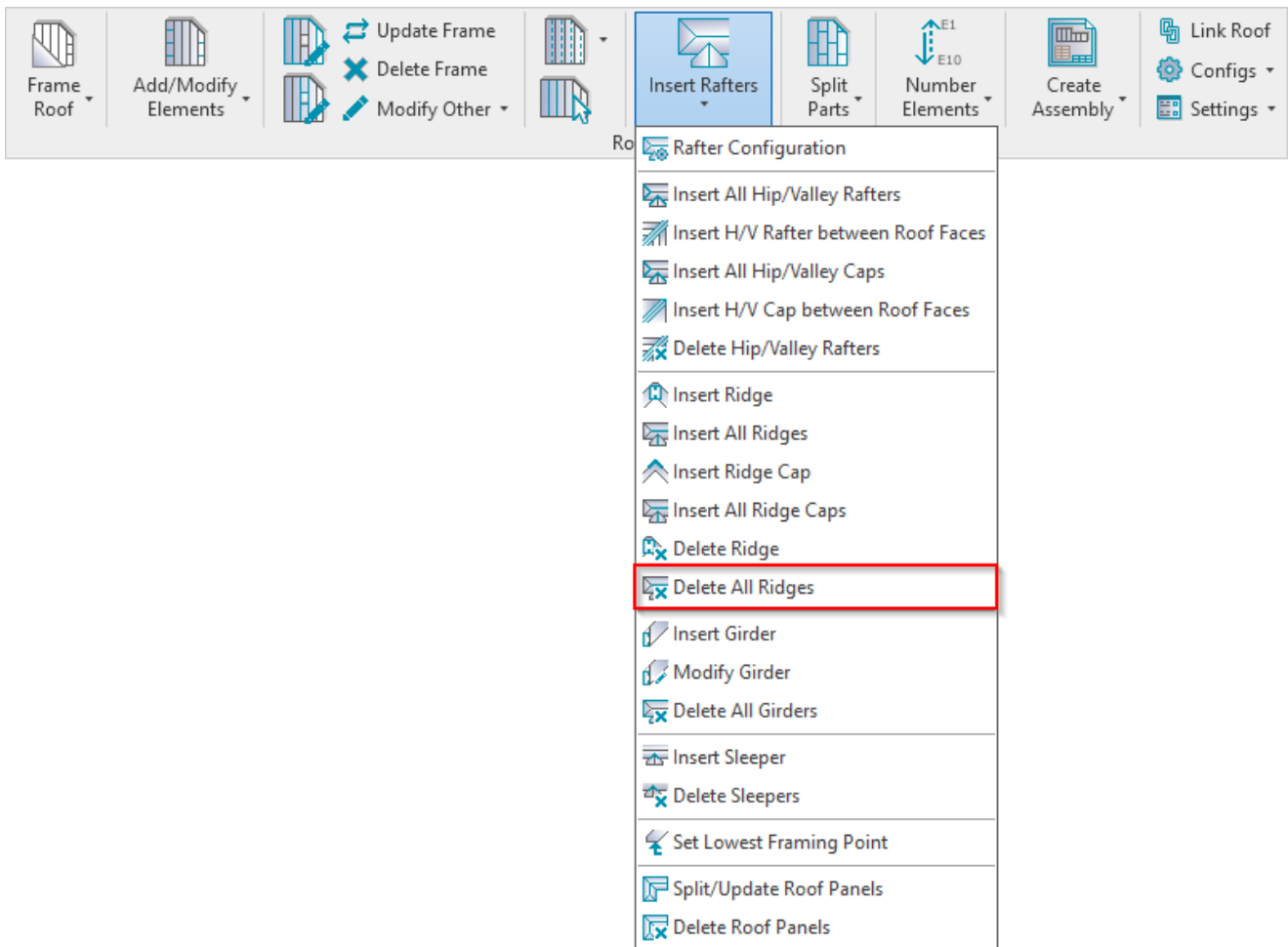
Insert all Ridge Caps – inserts all ridge caps on selected roof. Before inserting, predefine ridge cap type in **Rafter Configuration**.

Delete Ridge



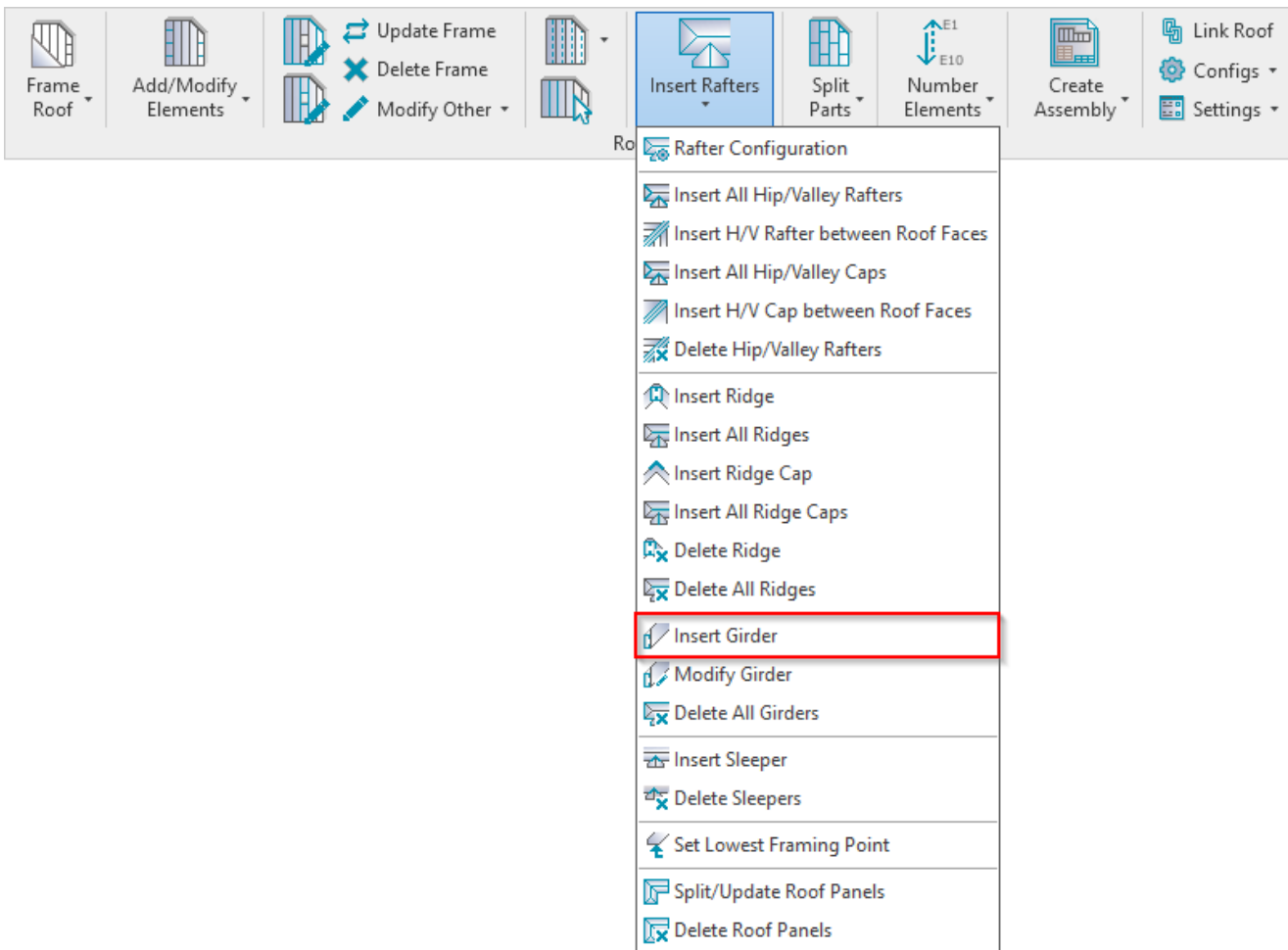
Delete Ridge – deletes selected ridge beam and ridge cap.

Delete all Ridges



Delete all Ridges – deletes all ridge beams and ridge caps from roof.

Insert Girder



Insert Girder – inserts girder beam between two selected hip, valley, or common rafters.

R Insert Girder ✕

Vertical distance from:

ridge (Ridge elevation: 2012 mm)

level

Horizontal distance from:

ridge

None

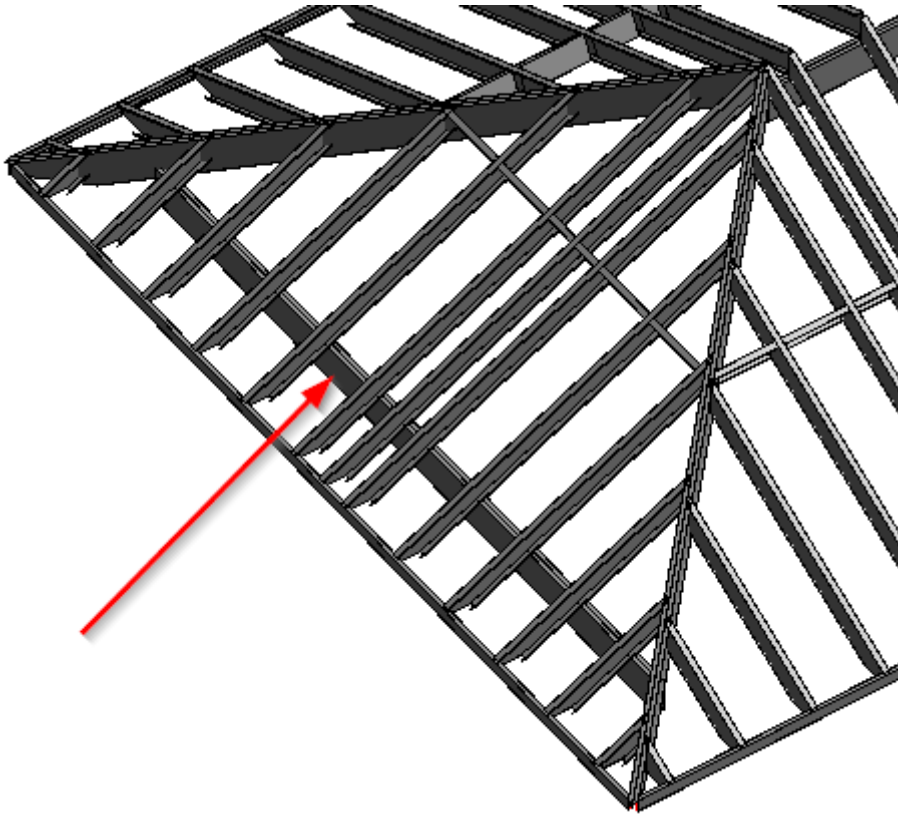
Girder Type

Type

Width (b)

Depth (h,d)

Result:

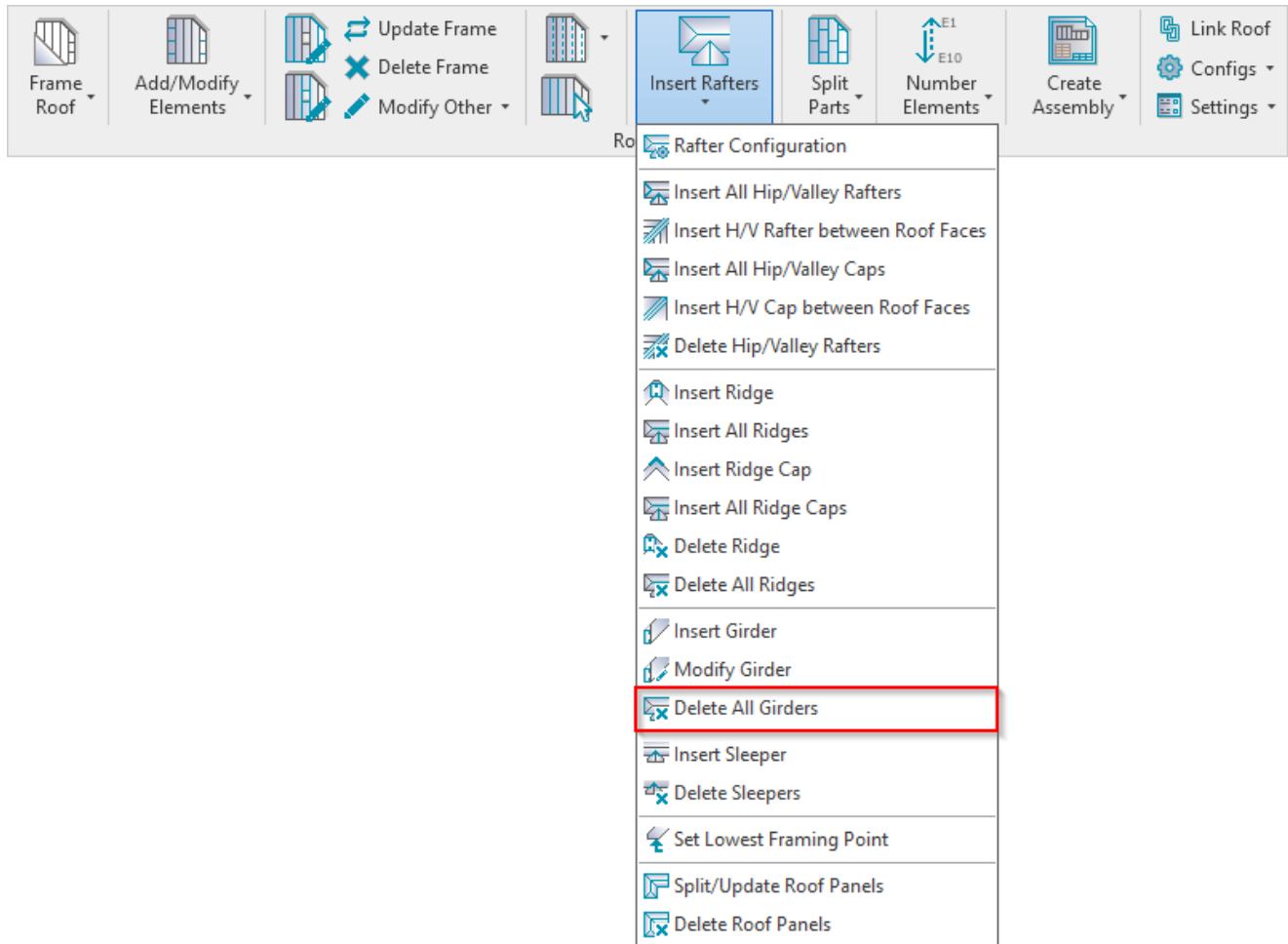


Modify Girder

Frame Roof	Add/Modify Elements	Update Frame	Delete Frame	Modify Other	Insert Rafters	Split Parts	Number Elements	Create Assembly	Link Roof	Configs	Settings
					<ul style="list-style-type: none"> Rafter Configuration Insert All Hip/Valley Rafters Insert H/V Rafter between Roof Faces Insert All Hip/Valley Caps Insert H/V Cap between Roof Faces Delete Hip/Valley Rafters Insert Ridge Insert All Ridges Insert Ridge Cap Insert All Ridge Caps Delete Ridge Delete All Ridges Insert Girder Modify Girder Delete All Girders Insert Sleeper Delete Sleepers Set Lowest Framing Point Split/Update Roof Panels Delete Roof Panels 						

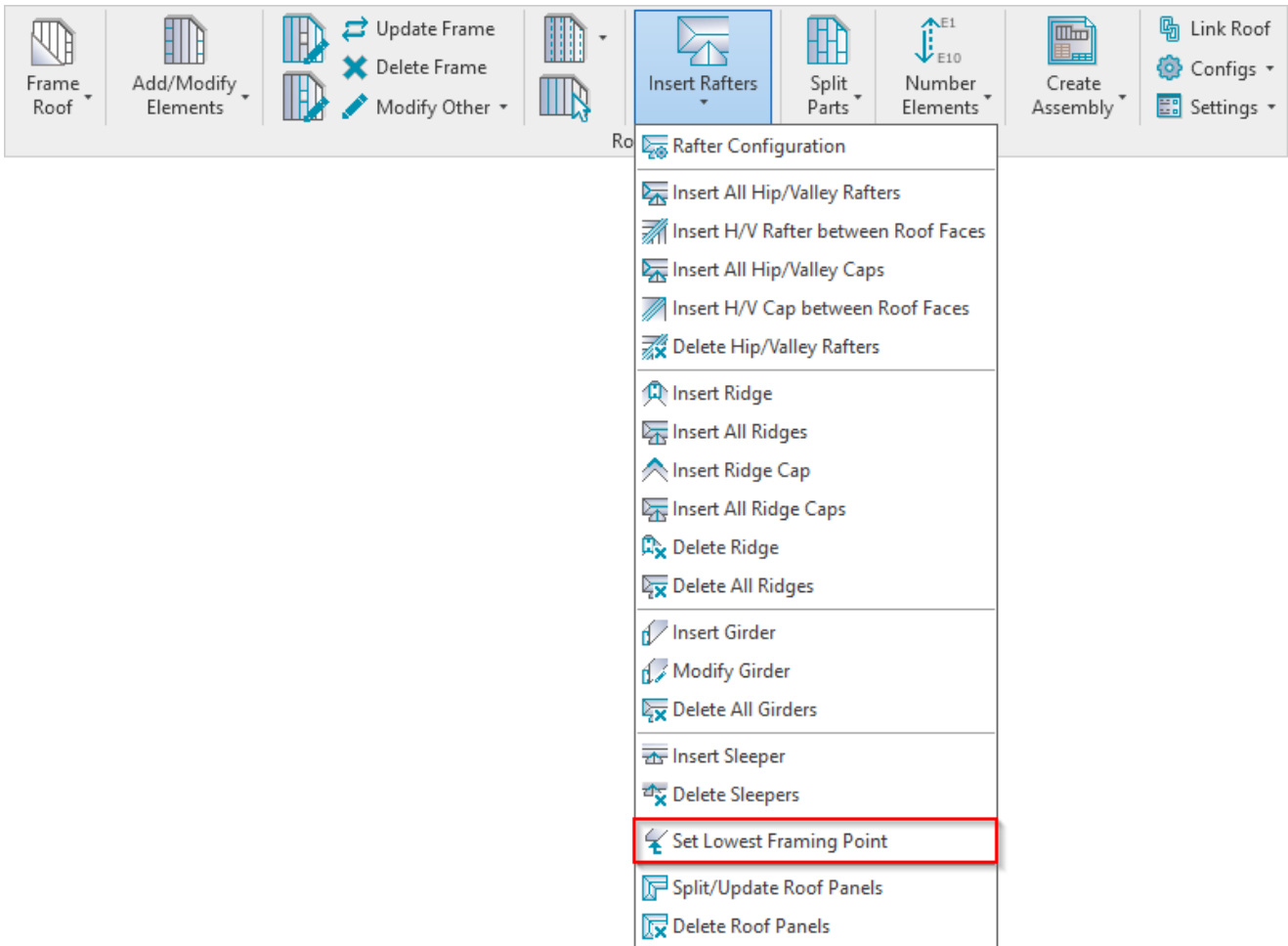
Modify Girder – modifies selected girder settings.

Delete all Girders



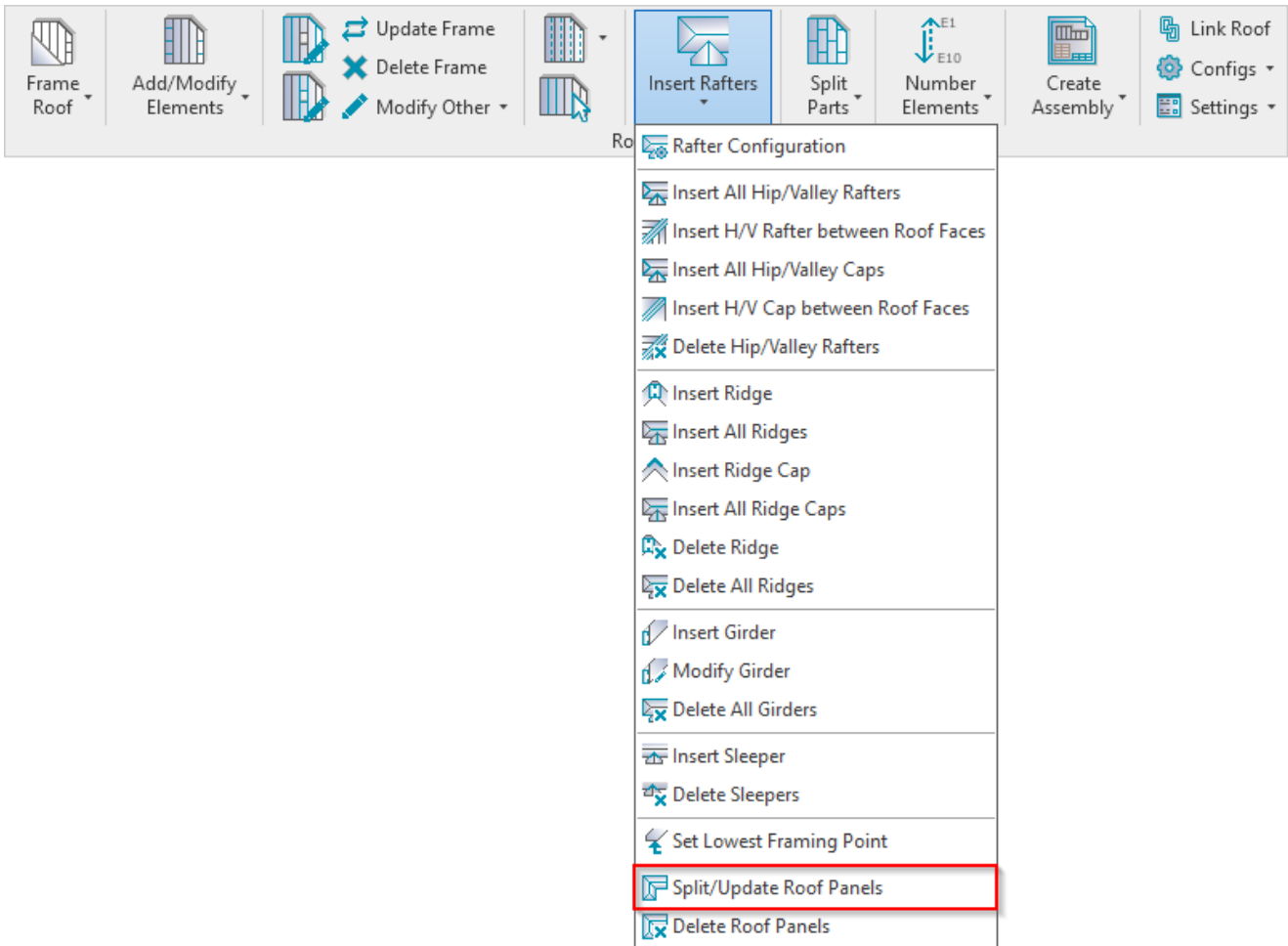
Delete all Girders – deletes all girder beams from roof.

Set Lowest Framing Point

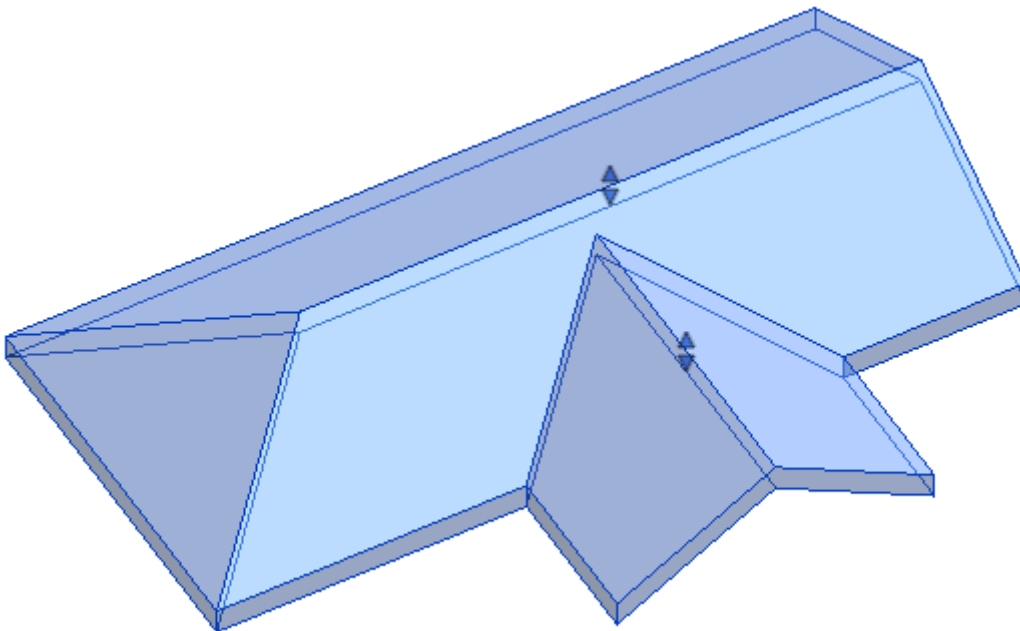


Set Lowest Framing Point – reads **Delta_Z** instance parameter value from selected joist and, after clicking **Update Frame**, this value is changed accordingly for the other joists of the selected frame. Selected joist's **Delta_Z** parameter becomes 0.

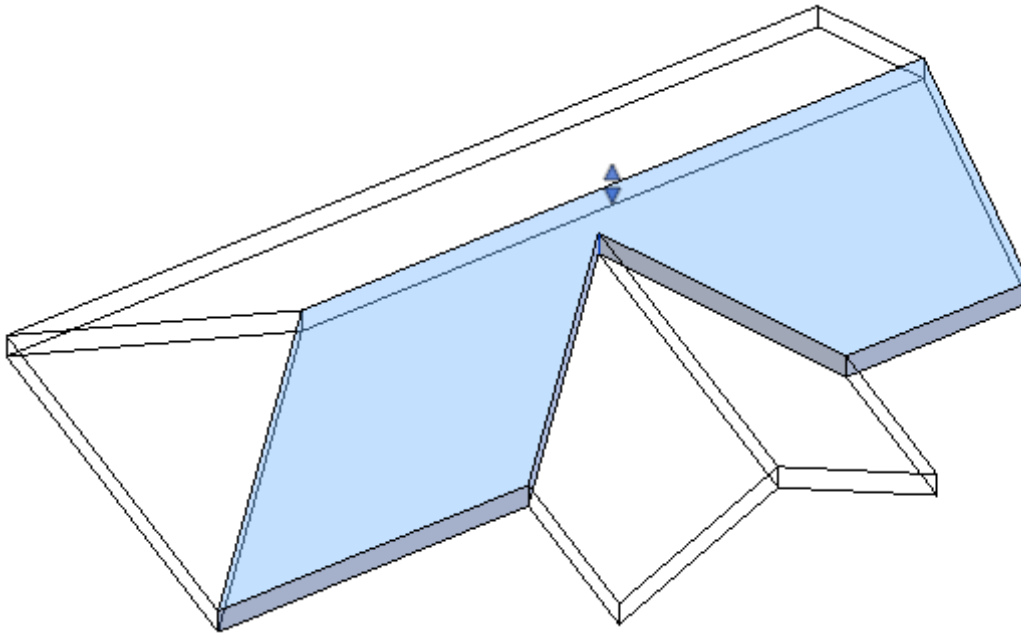
Split/Update Roof Panels



Split/Update Roof Panels – splits or updates panels for selected roof. Every roof slope will be recreated as a separate roof segment for proper roof framing.



Result: Selected single roof is split into separate roof segments.



Delete Roof Panels

Roofing ribbon menu showing the 'Delete Roof Panels' option highlighted in red.

Roofing ribbon menu items:

- Frame Roof
- Add/Modify Elements
- Update Frame
- Delete Frame
- Modify Other
- Insert Rafters
- Split Parts
- Number Elements
- Create Assembly
- Link Roof
- Configs
- Settings

Roofing ribbon menu options (under 'Roofing' tab):

- Rafter Configuration
 - Insert All Hip/Valley Rafters
 - Insert H/V Rafter between Roof Faces
 - Insert All Hip/Valley Caps
 - Insert H/V Cap between Roof Faces
 - Delete Hip/Valley Rafters
- Insert Ridge
 - Insert All Ridges
 - Insert Ridge Cap
 - Insert All Ridge Caps
 - Delete Ridge
 - Delete All Ridges
- Insert Girder
 - Modify Girder
 - Delete All Girders
- Insert Sleeper
 - Delete Sleepers
- Set Lowest Framing Point
- Split/Update Roof Panels
- Delete Roof Panels**

Delete Roof Panels – deletes all roof panels from selected roof.

