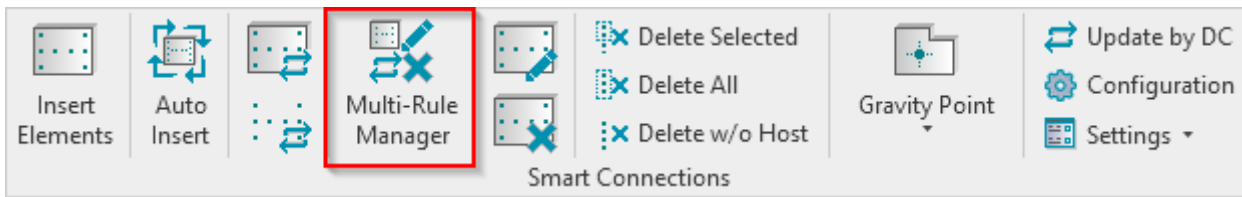


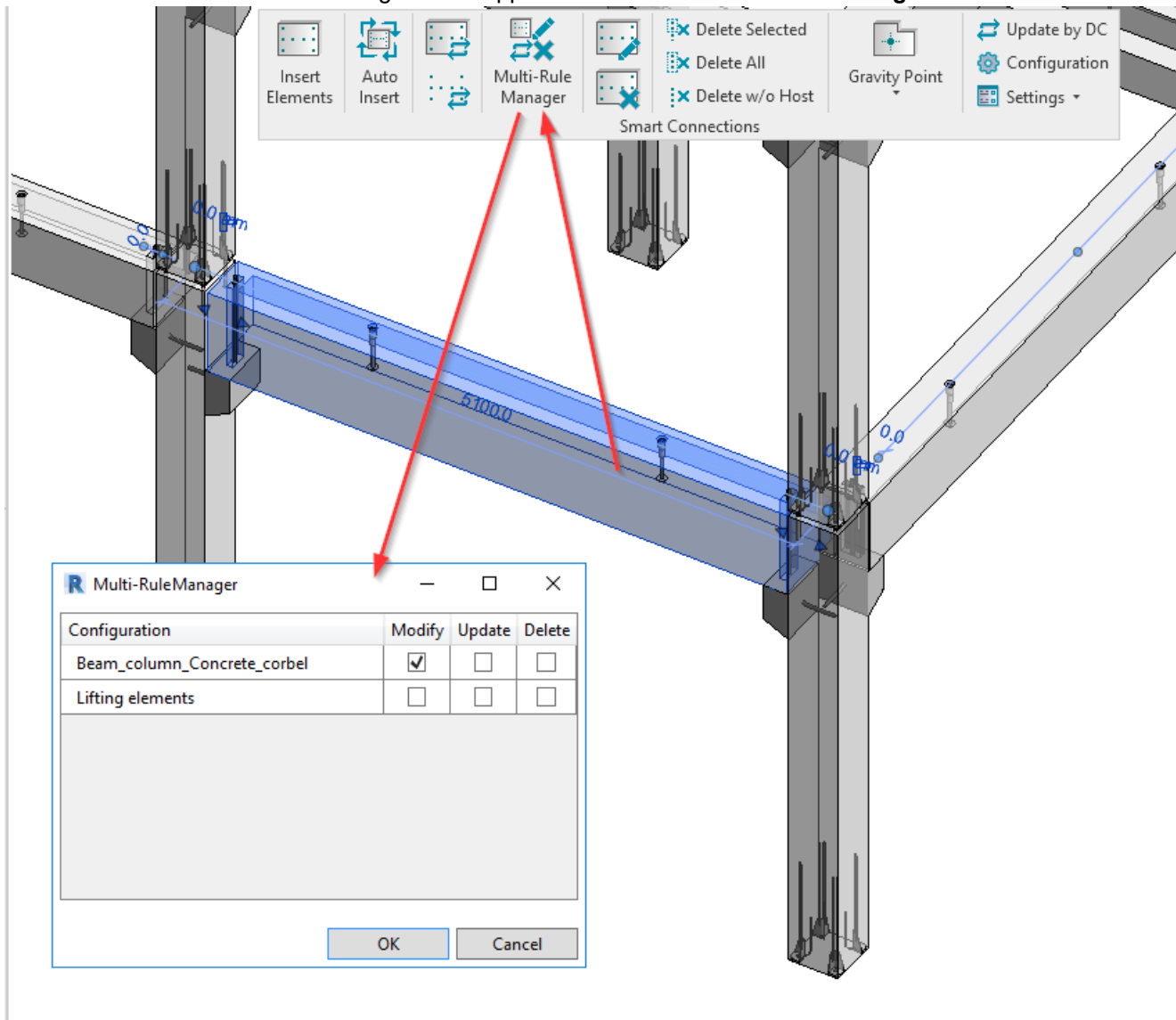
Multi-Rule Manager

Modified on: Mon, 22 Jun, 2020 at 11:07 AM



The Multi-Rule Manager allows you to manage several configurations used on the Host element.

Select Host which has several configurations applied to it and click **Multi-Rule Manager** command:



You can see all configurations that were applied to this Host element.

Choose to **Modify** one of the selected configurations or Update, Delete selected configurations.

