

Special Parameter - Build in Place

Modified on: Fri, 12 Jun, 2020 at 4:30 PM

Build in Place - by default, the 'Create Assemblies' command will add all hosted details to an Assembly. But if you add the 'Build in Place' parameter to hosted elements, and turn it ON, they will not be added to the Assembly. It's useful when you have a few nested elements and some of them should be installed on site, so you don't want to have them in the Assembly.

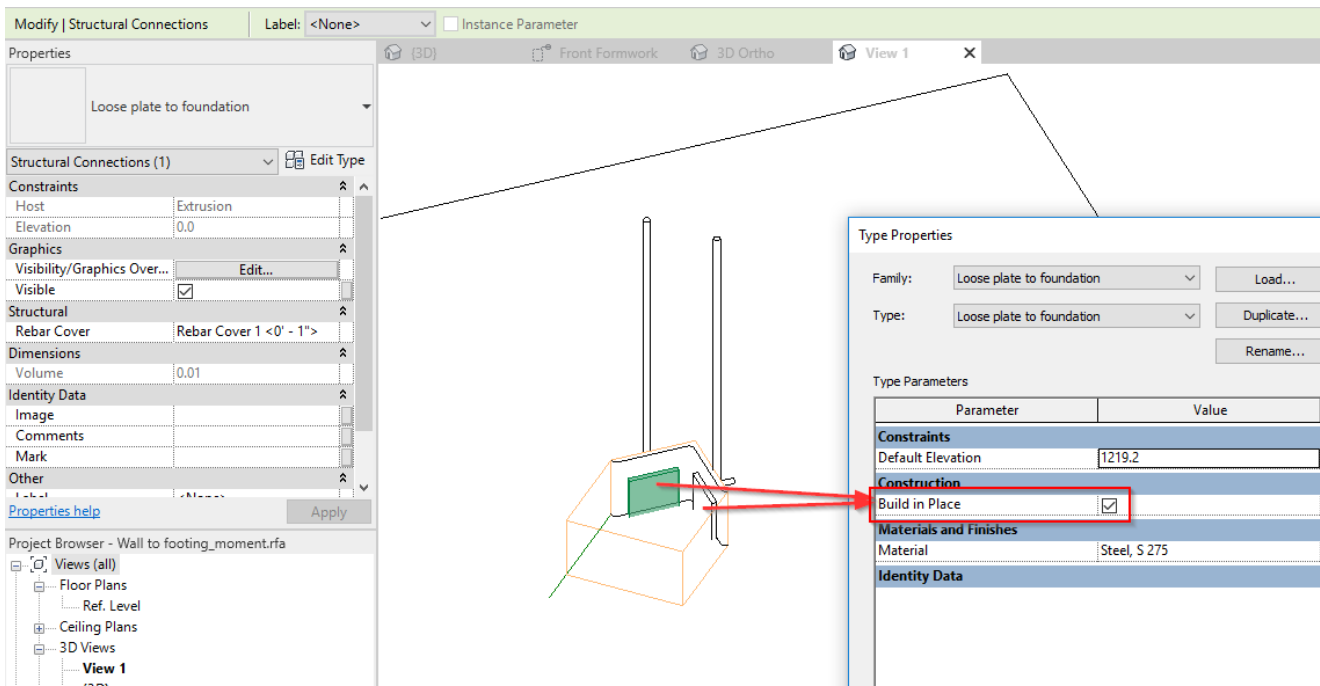
Parameter should be created like this:

The screenshot shows the 'Parameter Properties' dialog box with the following settings:

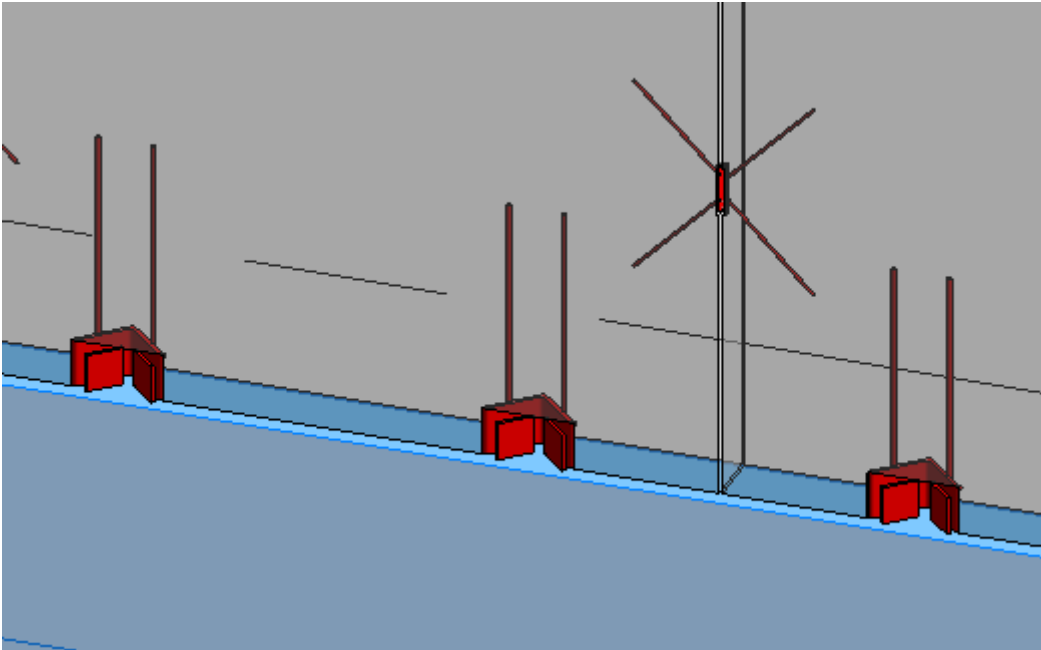
- Parameter Type:** Project parameter (selected). (Can appear in schedules but not in tags)
- Parameter Data:**
 - Name: Build in Place
 - Discipline: Common
 - Type of Parameter: Yes/No
 - Group parameter under: Other
 - Type: Type (selected)
 - Instance: Instance (unselected)
 - Values are aligned per group type: Values are aligned per group type (selected)
 - Values can vary by group instance: Values can vary by group instance (unselected)
 - Tooltip Description: <No tooltip description. Edit this parameter to write a custom tooltip. Custom tooltips hav...
- Categories:**
 - Filter list: <multiple>
 - Hide un-checked categories: (unselected)
 - Structural Connections (checked)
 - Structural Framing (checked)
- Bottom:** Add to all elements in the selected categories (checked), OK, Cancel, Help.

It's a Yes/No parameter, and its name should be exactly that, so the software can recognize it.

Here's a Family with some nested Families, some of which have the Build in Place parameter.



So, in the model all hardware is in place...



...but in the Assembly loose plates are excluded:

- Schedule: Wall schedule
- + Sheet: W-11 - Sheet
- W-12
 - Detail View: Front Formwork
 - Detail View: Vertical section
 - Schedule: Mass
 - Schedule: Part List
 - Schedule: Volume
 - Schedule: Wall schedule
- + Sheet: W-12 - Sheet
- WW-1
 - 3D View: 3D Ortho**
 - Detail View: Front Formwork
 - Detail View: Vertical section
 - Schedule: Mass
 - Schedule: Part List
 - Schedule: Volume

