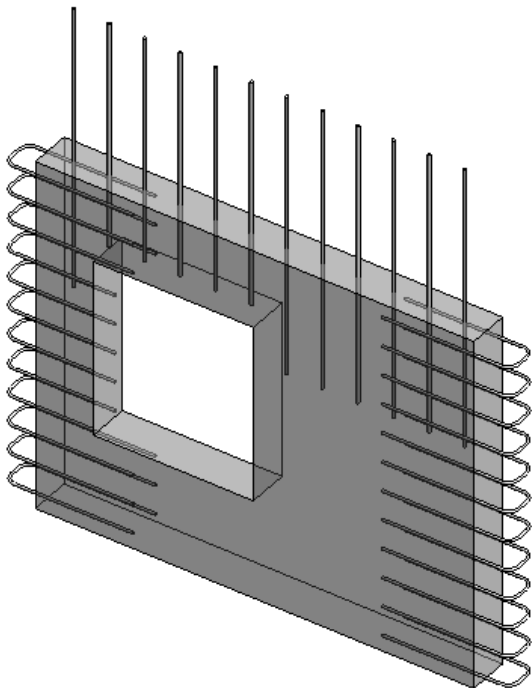
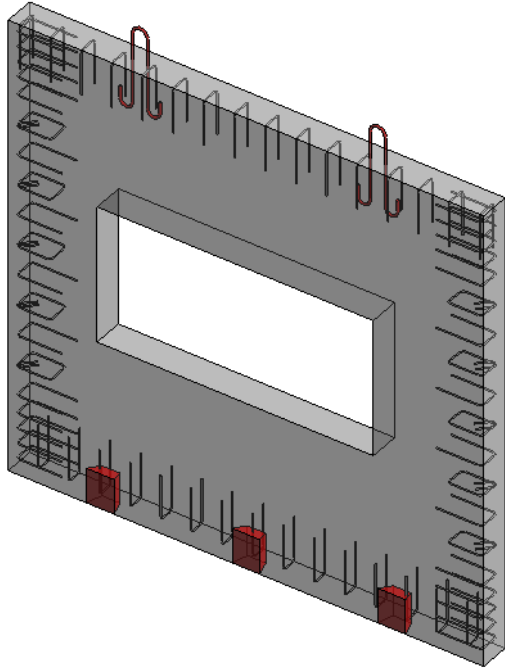
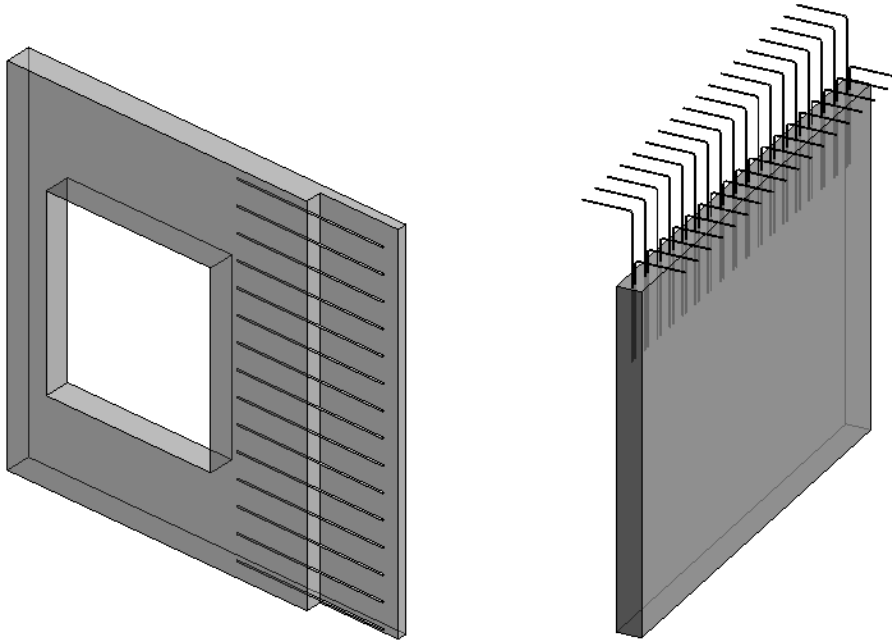


Additional Reinforcement

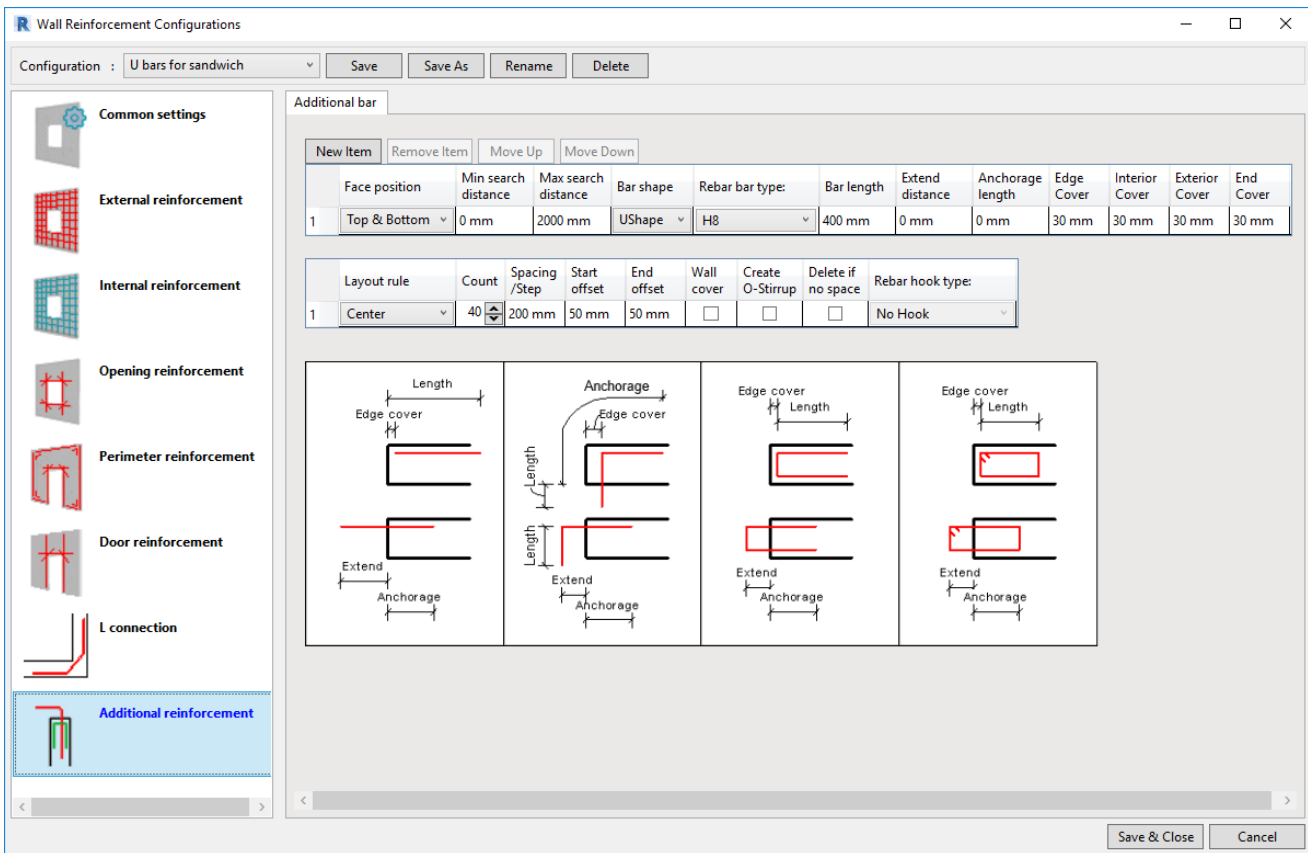
Modified on: Tue, 6 Apr, 2021 at 10:56 AM

This feature allows you to place U, L, O, and straight bar shapes at selected wall edges. Edges may be horizontal or vertical.





Configuration Settings



Face position - pick the side(s) where rebar should be created

Min/Max Search distance - sets the limits of cuts on wall edges

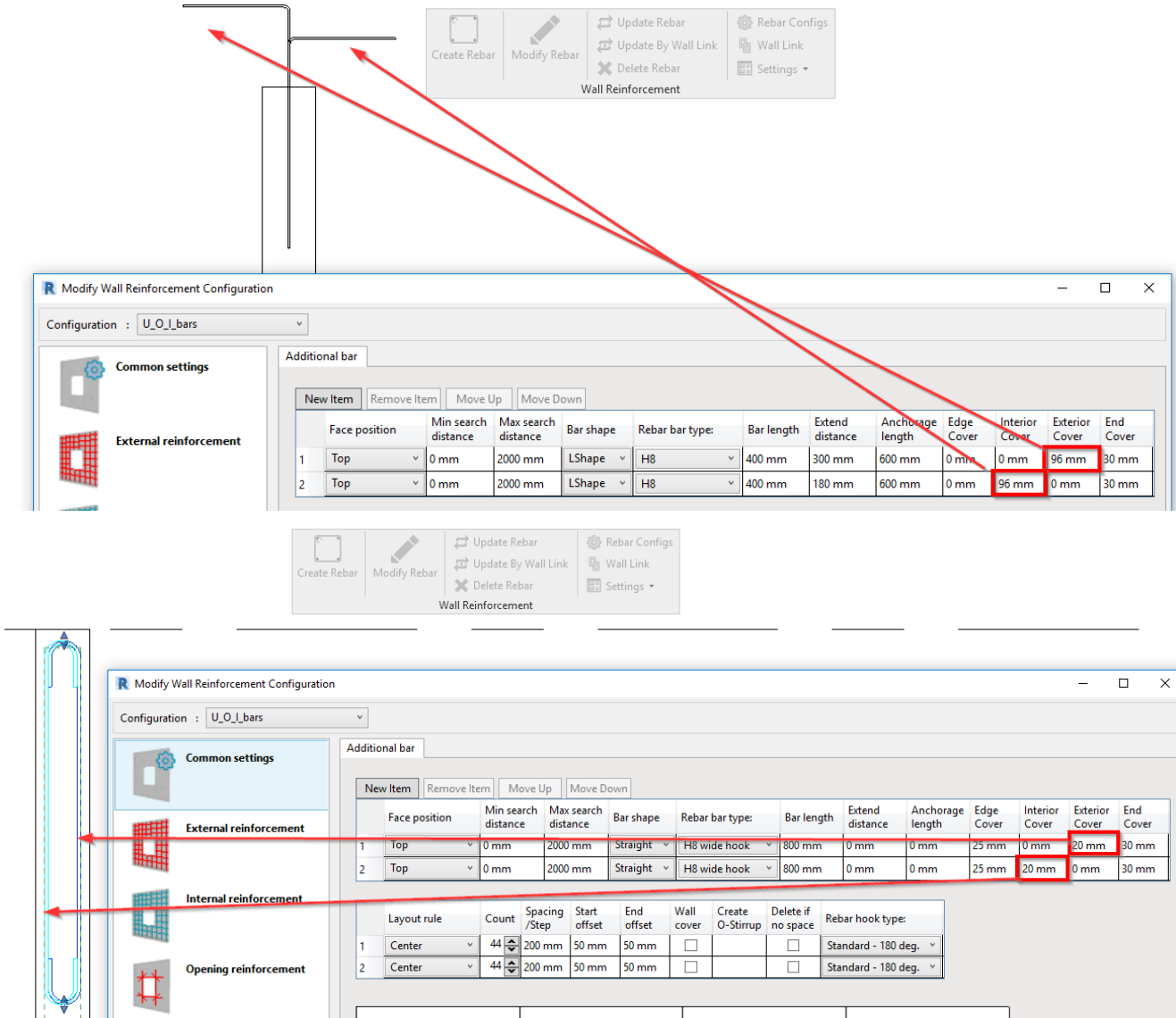
Bar shape - different rebar shapes are pictured in the configurations window

Rebar bar type - select type of reinforcement

Bar length, Extend distance, Anchorage length, Edge cover - refer to the images in the configurations window

Interior/Exterior cover - cover from selected side of the wall layer

NOTE: For L and straight bar shapes, you can select one of the cover options. This will affect the direction on hooks/bends for those bars!!!



End cover - if bar end will intersect with another boundary of the wall, this distance will be used as an offset from it

Layout rules along the edge

Layout rule

Center - number of rebar with defined spacing will be distributed symmetrically around center of the edge

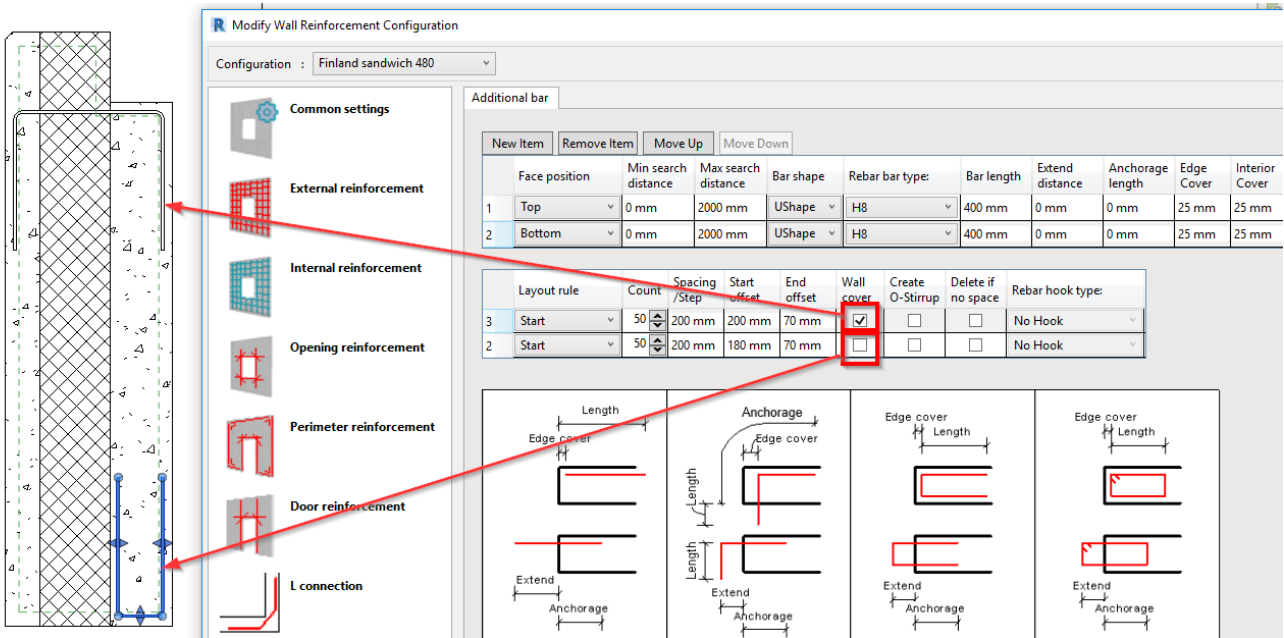
Start/End - rebar set with defined spacing will be created starting from selected end of edge line with defined offset. Opposite end offset will control where to stop laying out bars.

Start End - rebar will be created at exact positions of Start/End offsets and distributed with defined spacing. In this case, a rebar set might be created and then one single bar at the end of the layout.

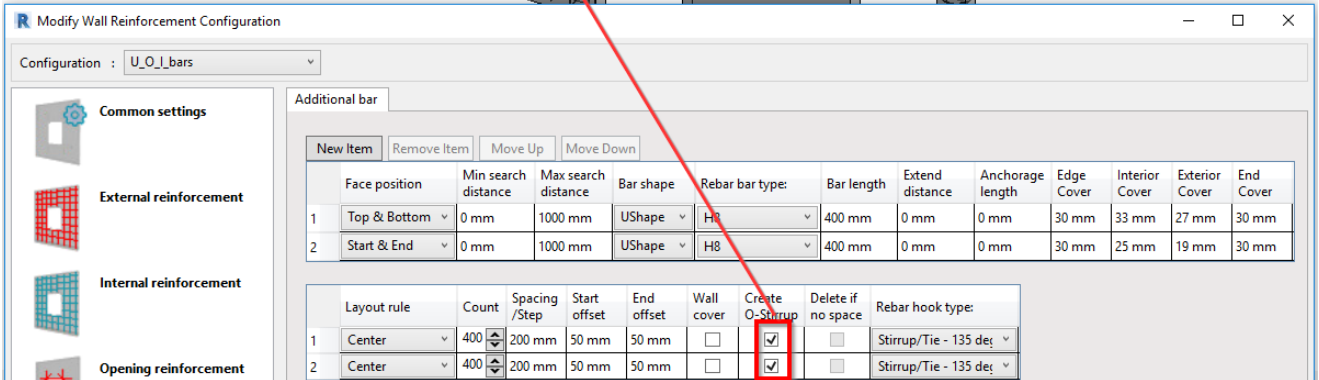
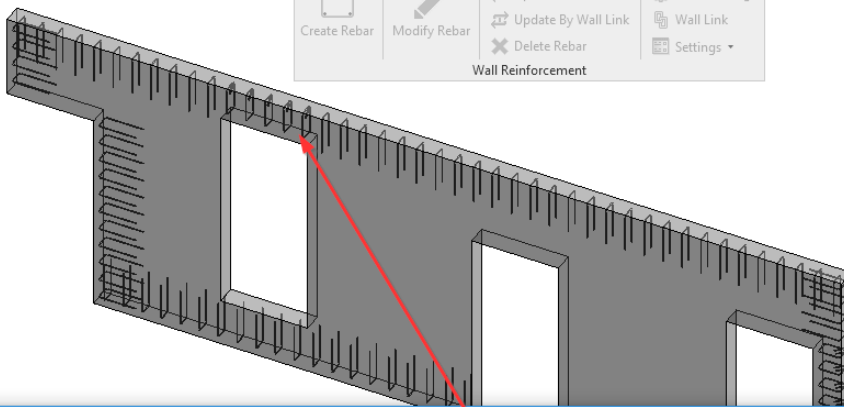
Spacing - distance between bars

Start/End offsets - distance from the start/end of wall edge ends

Wall cover - available only for U and O shapes. If this option is turned ON, then cover settings will be calculated from Wall sides, not from Wall layer sides.



Create O stirrup - available for U shape only. If there is no space to place rebar of defined length (e.g. opening is near the edge), then O-shaped bar will be created instead of U-shaped bar.



Delete if no space - available for U and O shapes only. If there is no space to place rebar of defined length (e.g. opening is near the edge), rebar will be deleted.

Wall Reinforcement

- Create Rebar
- Modify Rebar
- Update Rebar
- Update By Wall Link
- Delete Rebar
- Rebar Configs
- Wall Link
- Settings

Modify Wall Reinforcement Configuration

Configuration : U_O_L_bars

Additional bar

New Item	Remove Item	Move Up	Move Down	Face position	Min search distance	Max search distance	Bar shape	Rebar bar type	Bar length	Extend distance	Anchorage length	Edge Cover	Interior Cover	Exterior Cover	End Cover
1				Top & Bottom	0 mm	1000 mm	UShape	H8	400 mm	0 mm	0 mm	30 mm	33 mm	27 mm	30 mm
2				Start & End	0 mm	1000 mm	UShape	H8	400 mm	0 mm	0 mm	30 mm	25 mm	19 mm	30 mm

Layout rule	Count	Spacing /Step	Start offset	End offset	Wall cover	Create O-Stirrup	Delete if no share	Rebar hook type
1	400	200 mm	50 mm	50 mm	<input type="checkbox"/>	<input type="checkbox"/>	<input checked="" type="checkbox"/>	Stirrup/Tie - 135 deg
2	400	200 mm	50 mm	50 mm	<input type="checkbox"/>	<input type="checkbox"/>	<input checked="" type="checkbox"/>	Stirrup/Tie - 135 deg

Rebar hook type - select a hook type that is available in your project.