

Date :	07.01.94	Sign: bot
Last rev:	24.10.07	Sign: tb
Doc. No:	K4-10/08E	Sign: tb
Page 1 of 1		

Inverted T- Beam forked around the column BSF, BCC

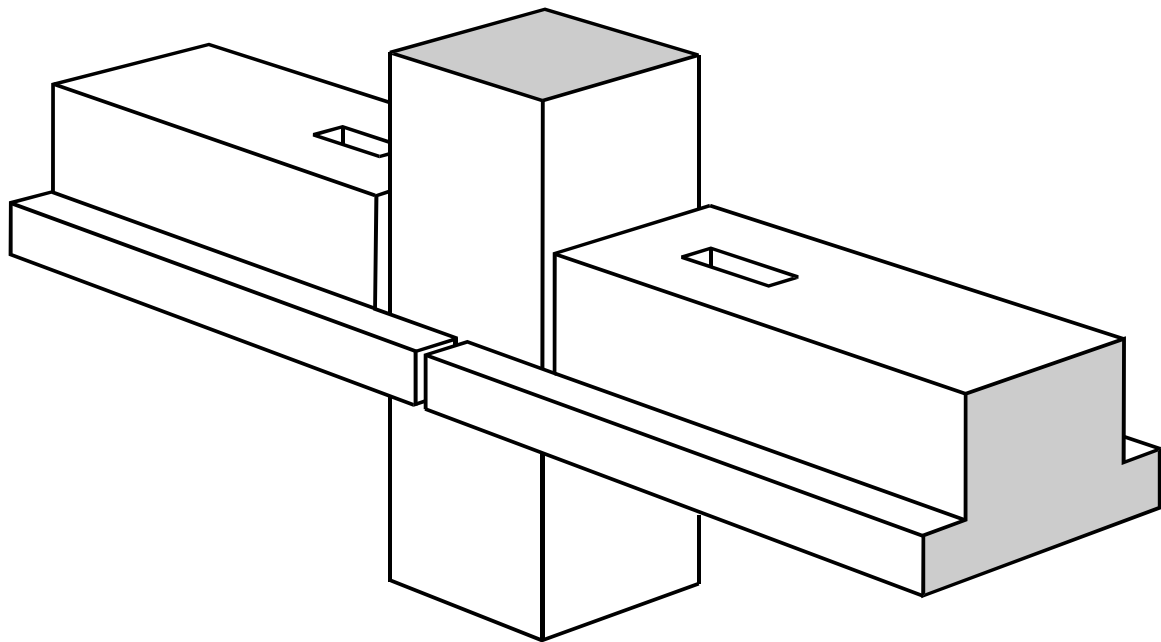


Figure shows a BSF unit